



COMPREHENSIVE CATALOG



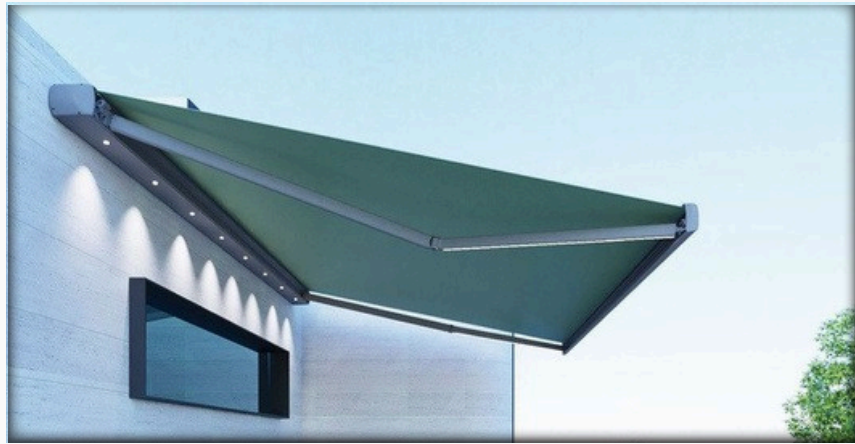
BUILDER SOLUTION US
Info@buildersolutionus.com
858-999-9081



01



02



03



04



05



06





T500



T700



T900



T1200

RETRACTABLE ROOF | T500 T700 T900



SPECIFICATION

Model	T500	T700	T900	Surface	Powder coating / Anodizing
Regular color	Grey, White; Customized			Bar spacing	500MM
Material	Aluminum Alloy			Warranty	Motor 3 years
Size	Max width	9m		LED light	2 years
	Max extend	6m	8m	10m	Waterproof

T500 Retractable roof	T700 Retractable roof	T900 Retractable roof
 <p>Name: T500 Rail Material: 6063-T5 Aluminum Alloy Specification: 110*64*2</p>	 <p>Name: T700 Rail Material: 6063-T5 Aluminum Alloy Specification: 130*70*1.5</p>	 <p>Name: T900 Rail Material: 6063-T5 Aluminum Alloy Specification: 160*98*2.5</p>

Shared important components

 <p>Name: Big crossbar Material: 6063-T5 Aluminum Alloy Specification: 76*60*1.3</p>	 <p>Name: Small crossbar Material: 6063-T5 Aluminum Alloy Specification: 60*36*1.3</p>
 <p>Name: Gutter Material: 6063-T5 Aluminum Alloy Specification: 150*143*1.8</p>	 <p>Name: Pillar Material: 6063-T5 Aluminum Alloy Specification: 125*90*2</p>



RETRACTABLE ROOF | T1200



SPECIFICATION

Model	T1200	Surface	Powder coating / Anodizing
Regular color	Grey, White; Customized	Bar spacing	500MM
Material	Aluminum Alloy	Warranty	M otor 3 years
Size	Max width 9m	LED light	2 years
	Max extend 12m	Waterproof	100% Waterproof

T1200 Retractable r oof

 <p>Name: T1200 Rail Material: 6063-T5 Aluminum Alloy Specification: 200*130*2.5</p>	 <p>Name: T1200 Big crossbar Material: 6063-T5 Aluminum Alloy Specification: 80*80*1.5</p>
 <p>Name: T1200 Small crossbar Material: 6063-T5 Aluminum Alloy Specification: 80*45*1.5</p>	 <p>Name: T1200 Gutter Material: 6063-T5 Aluminum Alloy Specification: 180*150*3</p>
 <p>Name: T1200 Pillar Material: 6063-T5 Aluminum Alloy Specification: 170*170*3</p>	 <p>Name: Water baffle Material: 6063-T5 Aluminum Alloy Specification: 110*13.8*0.5</p>





CASSETTE AWINGS | DQ-A



DQ-A Internal Structure Diagram

	Upper box cover		Lower box cover		Rear box cover
	Inner box cover		Front tube		Fabric roll tube
	Front pipe connector		Front tube cover		Side panel
	Tube support		Central support		Arm mount
	Round head		Crank arm connector		Wall bracket
	Motor		Crank arm		

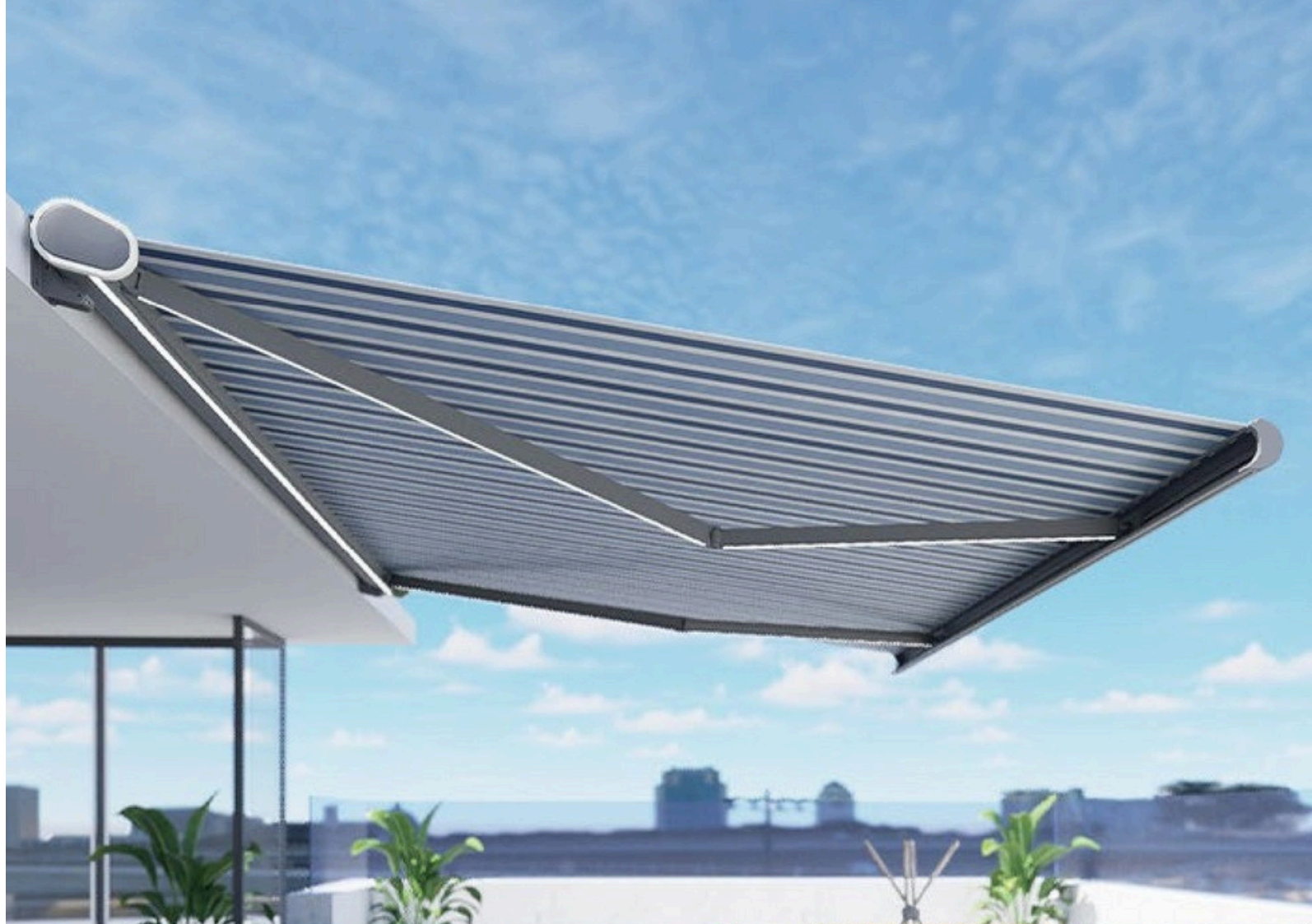
DQ-A Customizable Size

Extend \ Width (m)	2	2.5	3	3.5	4	4.5	5	~7
1.5	✓	✓	✓	✓	✓	✓	✓	✓
2			✓	✓	✓	✓	✓	✓
2.5				✓	✓	✓	✓	✓
3						✓	✓	✓
3.5						✓	✓	✓

*The angle of the awning can be adjusted from 0° to 43°



CASSETTE AWNING | DQ-B



DQ-B Internal Structure Diagram

	box cover		Inner box cover		Fabric roll tube
	Front tube		Front tube cover		DQ-B Arm mount
	Inner box bracket		Crank arm		Side panel
	Round head		Motor		Side panel cover
	DQ-B Wall bracket				

DQ-B Customizable Size

Extend \ Width (m)	2	2.5	3	3.5	4	4.5	5	~7
1.5	✓	✓	✓	✓	✓	✓	✓	✓
2			✓	✓	✓	✓	✓	✓
2.5				✓	✓	✓	✓	✓
3						✓	✓	✓
3.5						✓	✓	✓










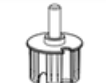


*The angle of the awning can be adjusted from 0° to 20°



ORIGINAL AWNING | FB



FB Internal Structure Diagram

	Fabric roll tube		Front tube		Square tube
	Crank arm connector		Tube support		Crank arm
	Front tube cover		Arm mount		Machine head
	Round head		Wall bracket		Motor

FB Customizable Size





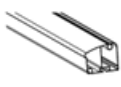






Extend \ Width (m)	2	2.5	3	3.5	4	4.5	5	5.5	6	~12
1.5	✓	✓	✓	✓	✓	✓	✓	✓	✓	✓
2			✓	✓	✓	✓	✓	✓	✓	✓
2.5				✓	✓	✓	✓	✓	✓	✓
3						✓	✓	✓	✓	✓
3.5						✓	✓	✓	✓	✓

*The angle of the awning can be adjusted from -7° to 53°





FE Internal Structure Diagram

	Egg shaped tube support		Arm mount		Round head
	Fabric roll tube		Front tube		Front tube cover
	Motor		Double crank arm		Wall bracket
	Central support		Square tube cover		

FE Customizable Size

Extend \ Width (m)	5	5.5	6	6.5	7	7.5	8	8.5	9	~12
3.5	✓	✓	✓	✓	✓	✓	✓	✓	✓	✓
4	✓	✓	✓	✓	✓	✓	✓	✓	✓	✓
4.5	✓	✓	✓	✓	✓	✓	✓	✓	✓	✓
5		✓	✓	✓	✓	✓	✓	✓	✓	✓

*The angle of the awning can be adjusted from 4° to 28°



03 | PRODUCT LIST



DT-1S Minimalist Pergola



F210 Heavy-type Louvered Pergola

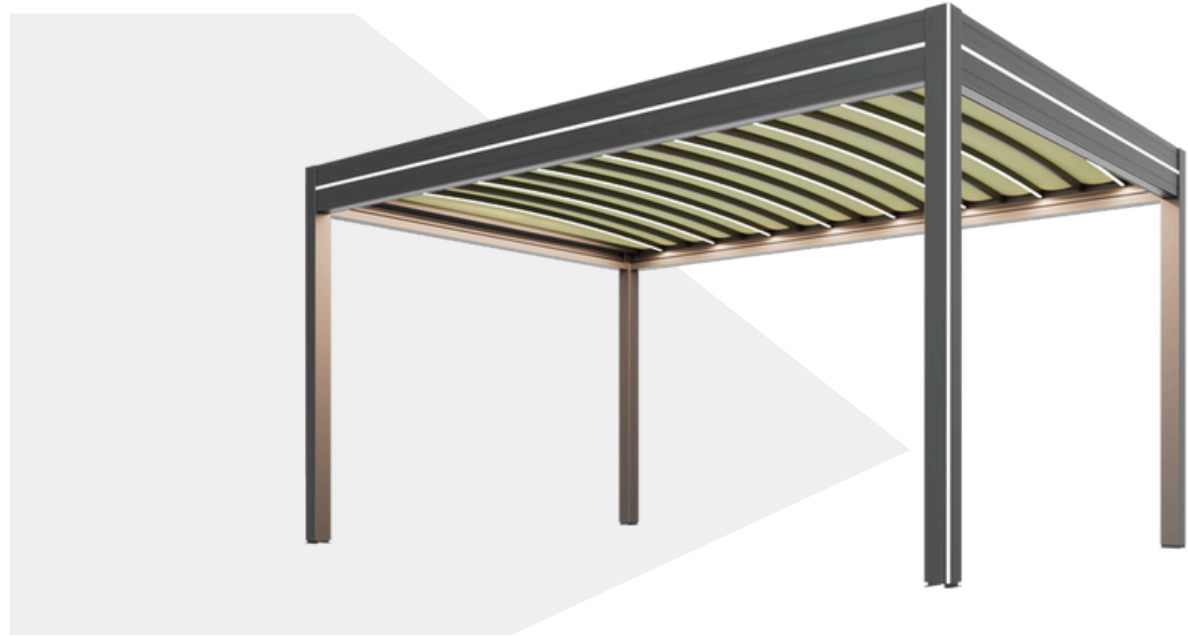


F168 Light-type Louvered Pergola



HF228 Retractable Louvered Pergola

MINIMALIST PERGOLA | DT-1S



DT-1S Product Parameters

- **Fabric Color:** Gray, white, beige (custom colors available)
- **Material:** 6063-T5 aluminum alloy
- **Dimensions:** Single set width up to 5m / extension up to 10m
- **Surface Treatment:** Powder coating, anodizing
- **Crossbar Spacing:** 500mm
- **Rain Protection:** Fully waterproof

DT-1S Customizable Size

Extend \ Width (m)	2	2.5	3	3.5	4	4.5	5
1.5	✓	✓	✓	✓	✓	✓	✓
2	✓	✓	✓	✓	✓	✓	✓
2.5	✓	✓	✓	✓	✓	✓	✓
3	✓	✓	✓	✓	✓	✓	✓
3.5	✓	✓	✓	✓	✓	✓	✓
4	✓	✓	✓	✓	✓	✓	✓
4.5	✓	✓	✓	✓	✓	✓	✓
~10	✓	✓	✓	✓	✓	✓	✓

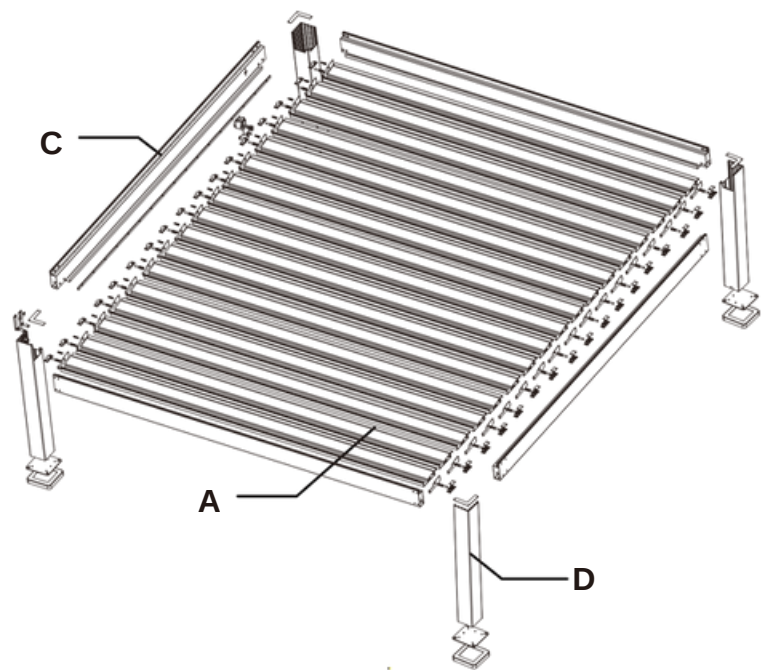
*A double-layer roller tube must be used for 4m-6m.



LIGHT-TYPE LOUVERED PERGOLA | F168



F168 Internal Structure Diagram



Code	Name	Size	Profile drawing
A	Bl ad es	168* 35* 1. 5	
B	Drainage tro ug h	140* 85* 1. 5	
C	P o sts	120* 120* 1. 5	

F168 Customizable Size

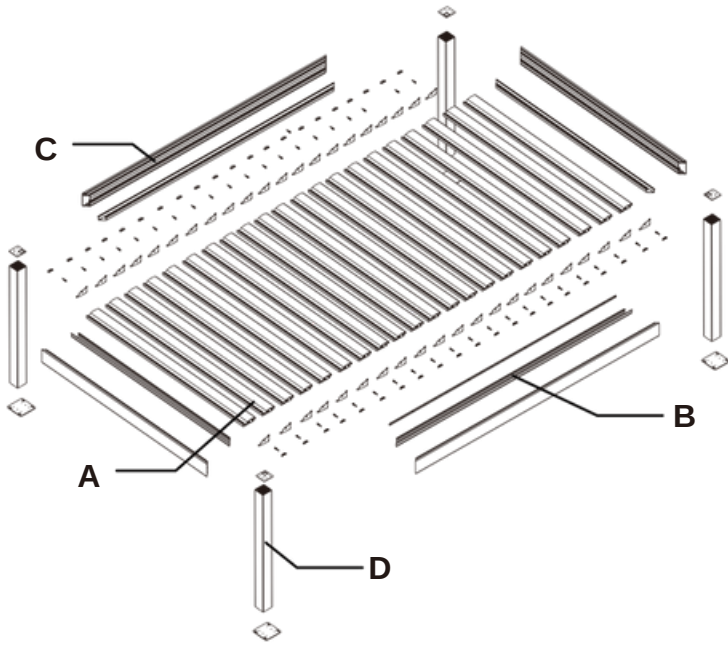
Extend \ Width (m)	1.5	2	2.5	3	3.5
1	✓	✓	✓	✓	✓
1.5	✓	✓	✓	✓	✓
2	✓	✓	✓	✓	✓
2.5	✓	✓	✓	✓	✓
~6	✓	✓	✓	✓	✓



HEAVY-TYPE LOUVERED PERGOLA | F210



F210 Internal Structure Diagram



F210			
Code	Name	Size	Profile drawing
A	Blades	210*50*1.6	
B	Drainage trough	74*58*1.5	
C	Edgebeam	200*68*2.3	
D	Posts	150*150*3.0	

F210 Customizable Size

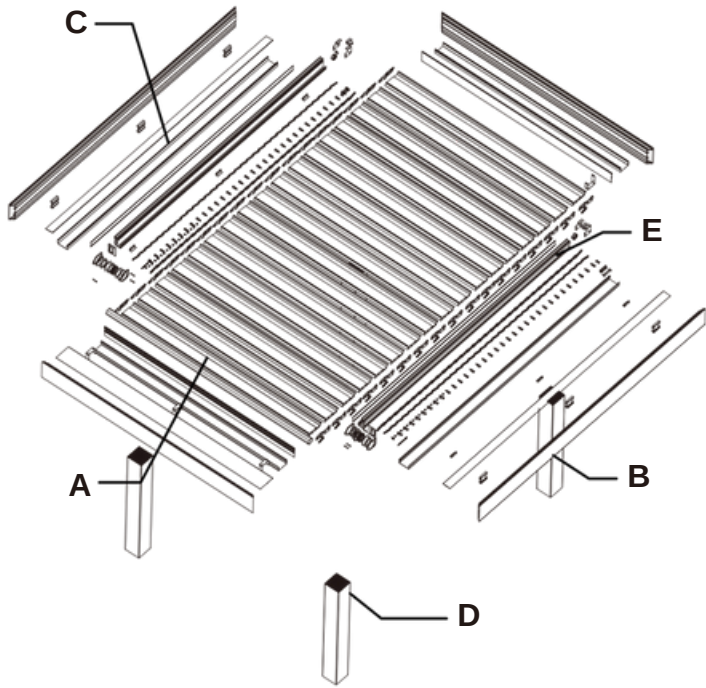
Extend \ Width (m)	2	2.5	3	3.5	4
1.5	✓	✓	✓	✓	✓
2	✓	✓	✓	✓	✓
2.5	✓	✓	✓	✓	✓
3	✓	✓	✓	✓	✓
~6	✓	✓	✓	✓	✓



RETRACTABLE LOUVERED PERGOLA | HF228



HF228 Internal Structure Diagram



Code	Name	Size	Profile drawing
A	Blinds	228* 40* 1.8	
B	Edge beam	250* 50* 2.5	
C	Drainage trough	142* 55* 1.5	
D	Pos ts	200* 200* 3.0	
E	Guide rail	142* 60* 2.0	

HF228 Customizable Size

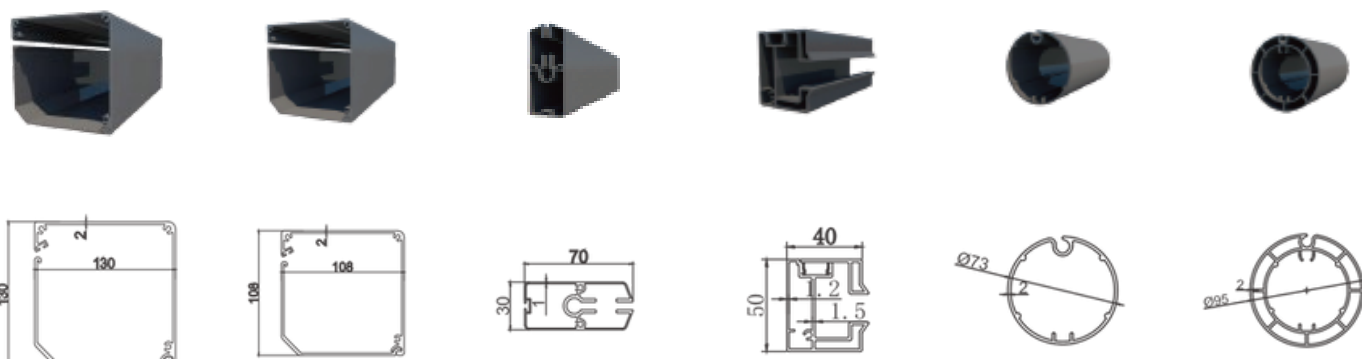
Extend \ Width (m)	2	2.5	3	3.5	4
1.5	✓	✓	✓	✓	✓
2	✓	✓	✓	✓	✓
2.5	✓	✓	✓	✓	✓
3	✓	✓	✓	✓	✓
~6	✓	✓	✓	✓	✓



04 ZIP SCREEN BLINDS | DR-S



DR-S Material Parameters



Name: Large Cover Box Material: 6063-T5 Aluminum Alloy Specification: 130*130*2	Name: Cover Box Material: 6063-T5 Aluminum Alloy Specification: 108*108*2	Name: Bottom Rail Material: 6063-T5 Aluminum Alloy Specification: 30*70*1	Name: Side Rail Material: 6063-T5 Aluminum Alloy Specification: 40*50*1.2	Name: Rolling Fabric tube Material: 6063-T5 Aluminum Alloy Specification: ∅ 73*2	Name: Double layer rolling fabric tube Material: 6063-T5 Aluminum Alloy Specification: ∅ 95*2
---	---	---	--	--	---

Unit: mm

DR-S Customizable Size

Extend \ Width (m)	2	2.5	3	3.5	4	4.5	5	5.5	6
1.5	√	√	√	√	√	√	√	√	√
2	√	√	√	√	√	√	√	√	√
2.5	√	√	√	√	√	√	√	√	√
3	√	√	√	√	√	√	√	√	√
~5	√	√	√	√	√	√	√	√	√

*A double-layer roller tube must be used for 4m-6m.

05 VERTICAL WINDOW AWNING | C102



C102 Internal Structure Diagram

	Side Panel Cover		Side Panel		Fabric Roll Tube
	Front Tube		Front Tube Cover		Cover Box
	Round Head		Movable Cover		Motor
	Mounting Bracket		Fastener		Steel Wire

C102 Customizable Size

Extend \ Width (m)	2	2.5	3	3.5	4
1.5	✓	✓	✓	✓	✓
2	✓	✓	✓	✓	✓
2.5	✓	✓	✓	✓	✓
3	✓	✓	✓	✓	✓



05 SWING ARM WINDOW AWNING | C104



C104 Internal Structure Diagram

	Side Panel Cover		Side Panel		Fabric Roll Tube
	Front Tube		Front Tube Cover		Cover Box
	Round Head		Movable End Cap		Motor or

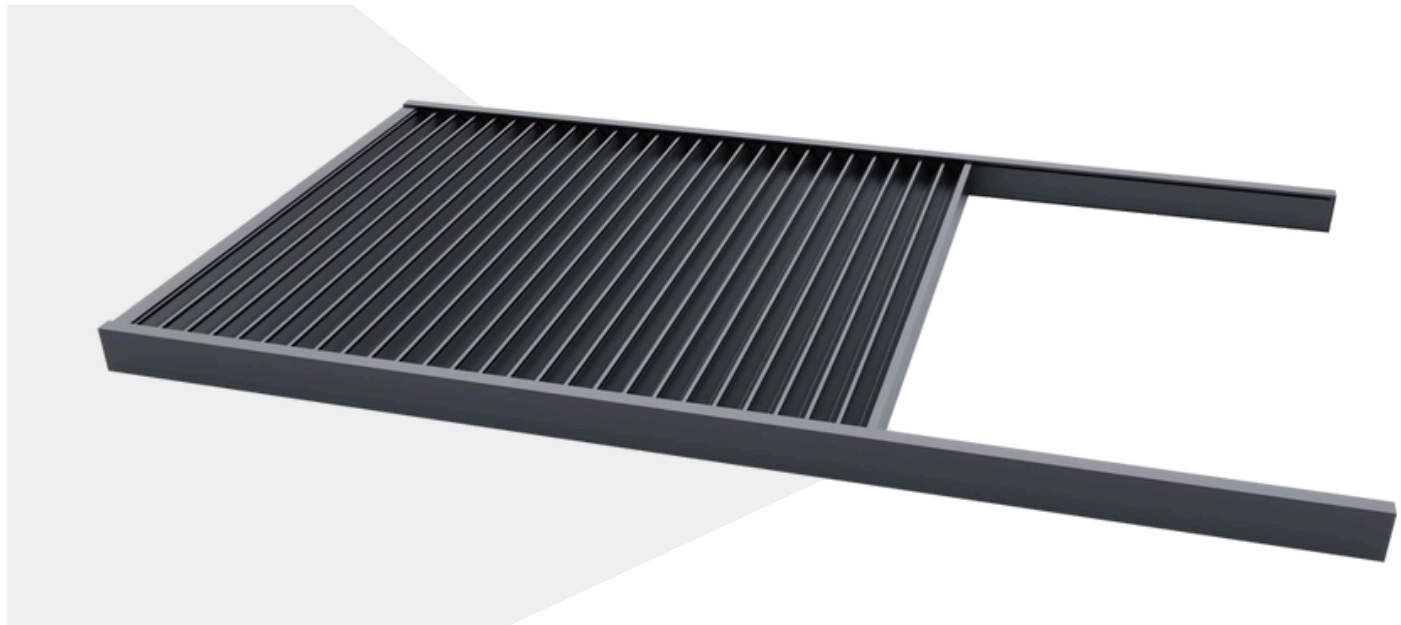
C104 Customizable Size

Extend \ Width (m)	2	2.5	3	3.5	4
0.75	✓	✓	✓	✓	✓
1	✓	✓	✓	✓	✓
1.2	✓	✓	✓	✓	✓
1.5	✓	✓	✓	✓	✓

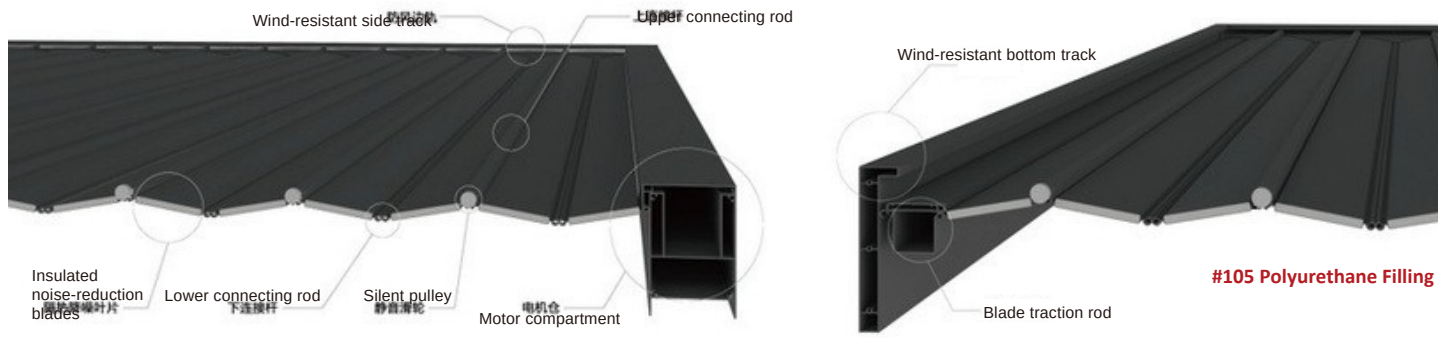
*The maximum arm length is 1.5 meters, and the maximum fabric length is 3 meters.



06 FOLDING ROOF ROLLER SHUTTERS | M120



M120 Internal Structure Diagram



M120 Profile Blades
Polyurethane Foam



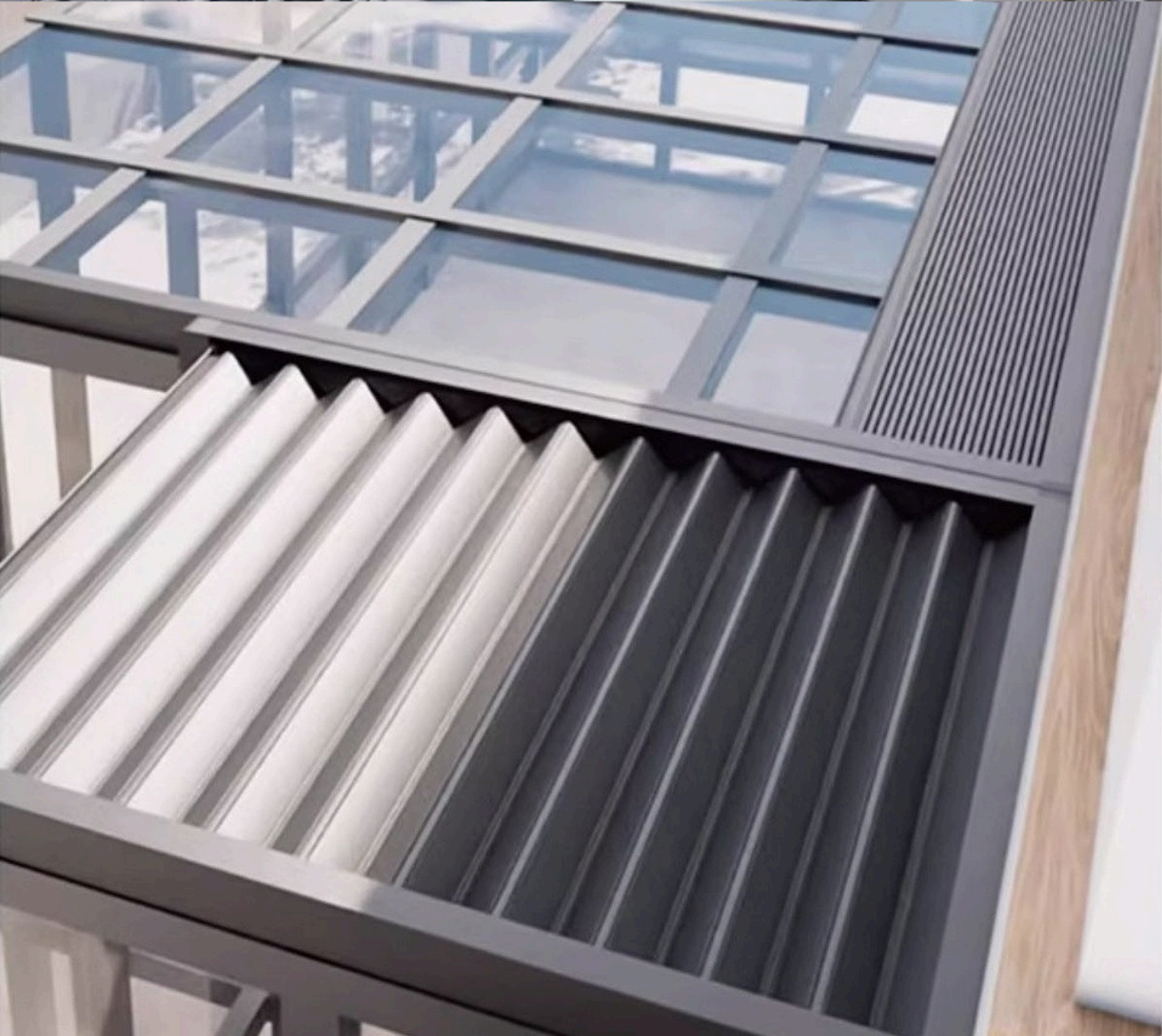
Production parameters:
 •Max width: **5m**
 •Max length: **10m**
 •Max area: **40m²**
 Weight: approx. **9.5KG/ m²**

M120 Profile Blades
No foam

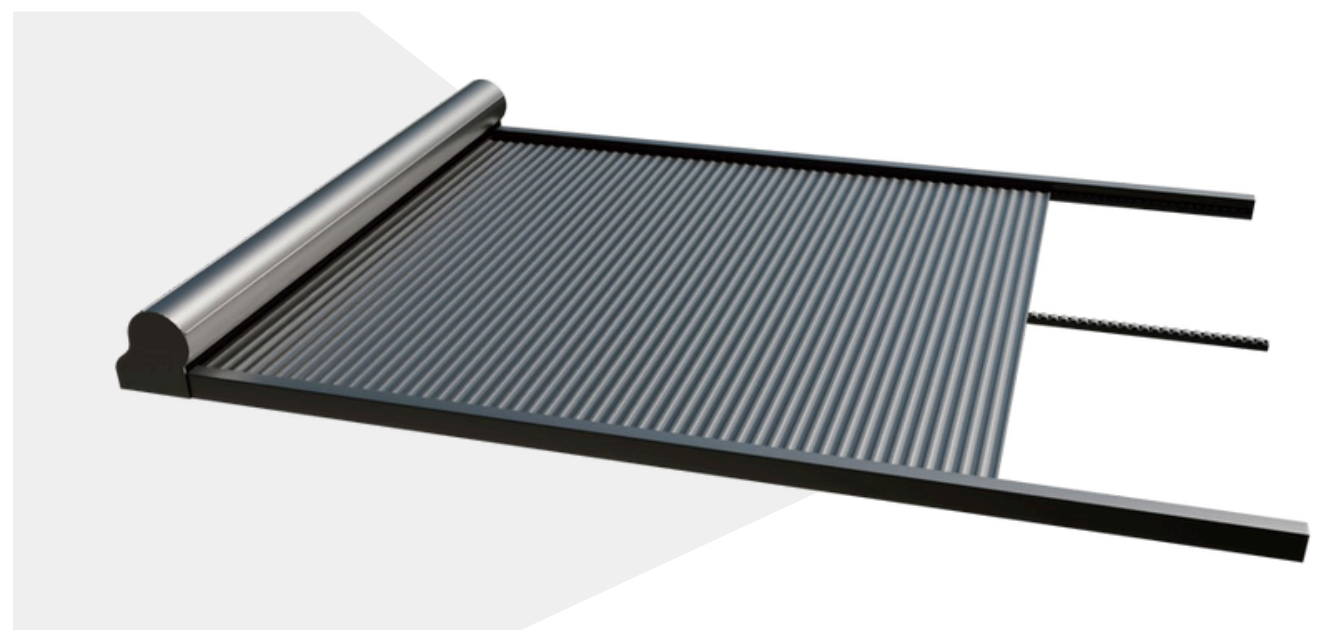


Production parameters:
 •Max width: **5m**
 •Max length: **10m**
 •Max area: **40m²**
 Weight: approx. **8.5KG/ m²**

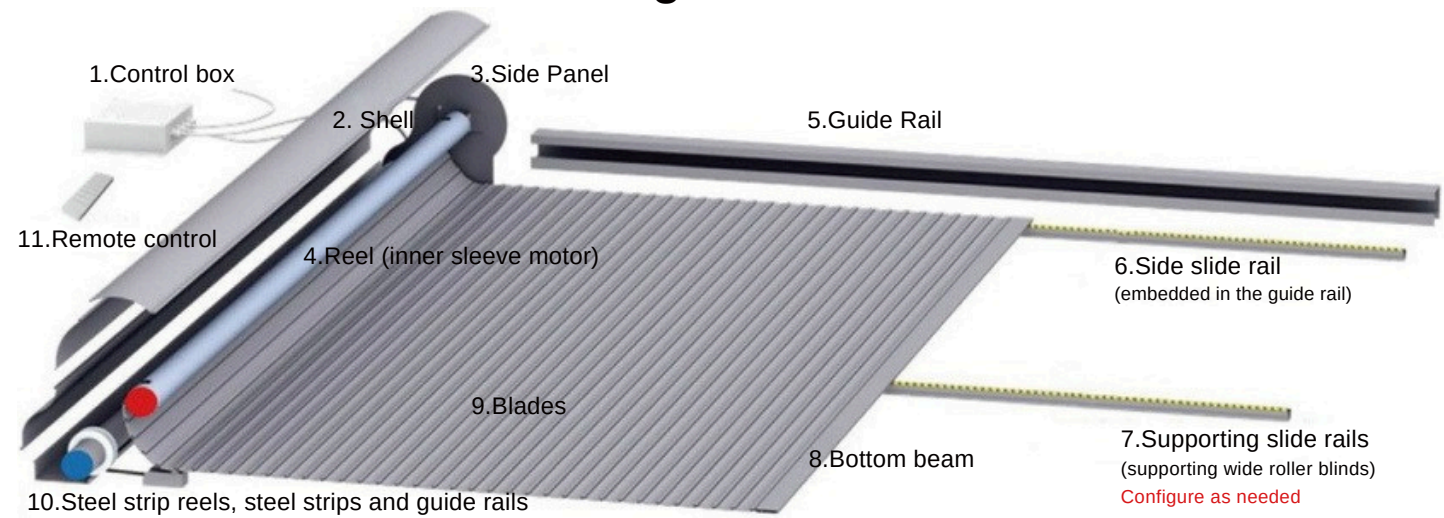
Cross-section Diagram					
Name	Blade	Motor Bracket	Side Rail	Bottom Beam	Hanger Strip
Material	Aluminum Alloy + Polyurethane Foam	Aluminum Alloy	Aluminum Alloy	Aluminum Alloy	Aluminum Alloy
Specification	120*12*0.8mm	158*94*1.6mm	185*70*1.6mm	158*62*1.6mm	22*26*1.0mm



06 ALUMINUM ROOF ROLLER SHUTTERS | DM-B

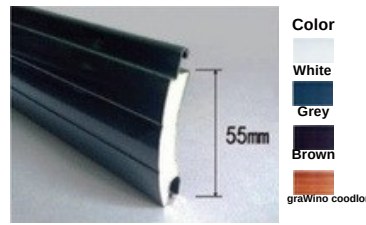


DM-B Internal Structure Diagram



Blade parameters

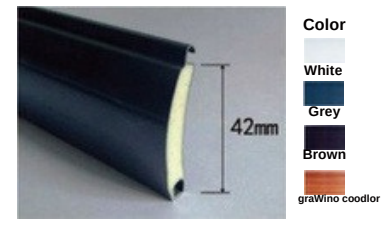
55# series full blackout roller blinds
 (aluminum alloy + polyurethane foam)



Production parameters:

- Max width: **6m**
- Max length: **7m**

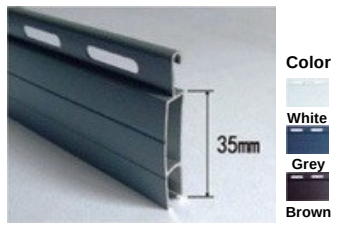
42# series full blackout roller blinds
 (aluminum alloy + polyurethane foam)



Production parameters:

- Max width: **3.5m**
- Max length: **5m**

35# series "Gypsophila" roller blinds
 (aluminum alloy profiles with light holes)



Production parameters:

- Max width: **6m**
- Max length: **7m**



06 ROOF ROLLER BLINDS | T06



T06 Internal Structure Diagram

	Upper box cover		Lower box cover		Side panel
	Movable assembly		Mounting bracket		Front tube
	Guide rail end cap		Spring		Motor
	Hanging wheel		Cord reel		Fastener

T06 Customizable Size

Extend \ Width (m)	2	2.5	3	3.5	4	4.5	5	5.5	6
1.5	✓	✓	✓	✓	✓	✓	✓	✓	✓
2	✓	✓	✓	✓	✓	✓	✓	✓	✓
2.5	✓	✓	✓	✓	✓	✓	✓	✓	✓
3	✓	✓	✓	✓	✓	✓	✓	✓	✓
3.5	✓	✓	✓	✓	✓	✓	✓	✓	✓
4	✓	✓	✓	✓	✓	✓	✓	✓	✓
4.5			✓	✓	✓	✓	✓	✓	✓
5			✓	✓	✓	✓	✓	✓	✓
5.5					✓	✓			
6					✓	✓			

