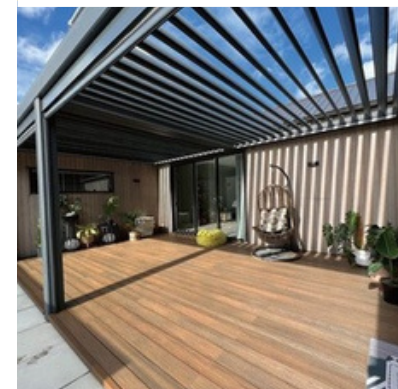
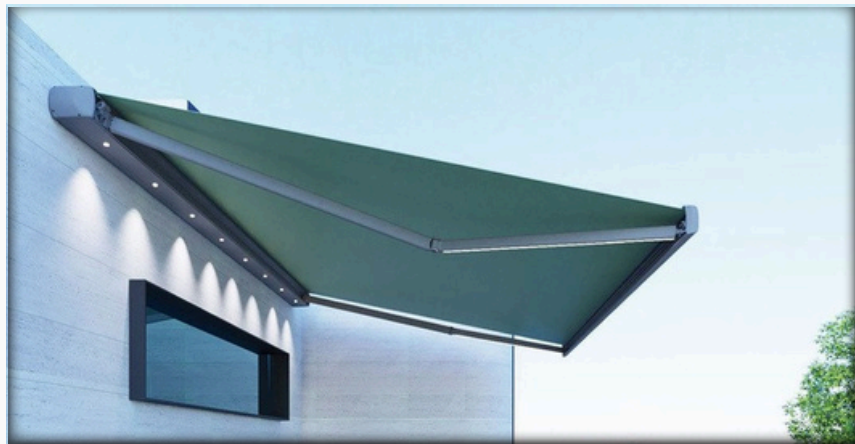




## COMPREHENSIVE CATALOG



**BUILDER SOLUTION US**  
**Info@buildersolutionus.com**  
**858-999-9081**



01  
02  
03

04  
05  
06



**T500**



**T700**



**T900**



**T1200**

# RETRACTABLE ROOF | T500 T700 T900



## SPECIFICATION

<b>Model</b>	T500	T700	T900	<b>Surface</b>	Powder coating / Anodizing	
<b>Regular color</b>	Grey, White; Customized			<b>Bar spacing</b>	500MM	
<b>Material</b>	Aluminum Alloy			<b>Warranty</b>	Motor: 3 years LED light: 2 years	
<b>Size</b>	<b>Max width</b>	9m			<b>Waterproof</b>	100% Waterproof
	<b>Max extend</b>	6m	8m	10m		

T500 Retractable roof	T700 Retractable roof	T900 Retractable roof
 <p>Name: <b>T500 Rail</b> Material: <b>6063-T5 Aluminum Alloy</b> Specification: <b>110*64*2</b></p>	 <p>Name: <b>T700 Rail</b> Material: <b>6063-T5 Aluminum Alloy</b> Specification: <b>130*70*1.5</b></p>	 <p>Name: <b>T900 Rail</b> Material: <b>6063-T5 Aluminum Alloy</b> Specification: <b>160*98*2.5</b></p>

## Shared important components

 <p>Name: <b>Big crossbar</b> Material: <b>6063-T5 Aluminum Alloy</b> Specification: <b>76*60*1.3</b></p>	 <p>Name: <b>Small crossbar</b> Material: <b>6063-T5 Aluminum Alloy</b> Specification: <b>60*36*1.3</b></p>
 <p>Name: <b>Gutter</b> Material: <b>6063-T5 Aluminum Alloy</b> Specification: <b>150*143*1.8</b></p>	 <p>Name: <b>Pillar</b> Material: <b>6063-T5 Aluminum Alloy</b> Specification: <b>125*90*2</b></p>



# RETRACTABLE ROOF | T1200



## SPE CI FI CA T I ON

<b>Model</b>	<b>T1200</b>	<b>Surface</b>	Powder coating / Anodizing
<b>Regular color</b>	Grey, White; Customized	<b>Bar spacing</b>	500MM
<b>Material</b>	Aluminum Alloy	<b>Warranty</b>	<b>M otor</b> 3 years
<b>Size</b>	<b>Max width</b>	9m	<b>LED light</b> 2 years
	<b>Max extend</b>	12m	<b>Waterproof</b> 100% Waterproof

## T1200 Retractable r oof

 <p>Name: <b>T1200 Rail</b></p> <p>Material: <b>6063-T5 Aluminum Alloy</b></p> <p>Specification: <b>200*130*2.5</b></p>	 <p>Name: <b>T1200 Big crossbar</b></p> <p>Material: <b>6063-T5 Aluminum Alloy</b></p> <p>Specification: <b>80*80*1.5</b></p>
 <p>Name: <b>T1200 Small crossbar</b></p> <p>Material: <b>6063-T5 Aluminum Alloy</b></p> <p>Specification: <b>80*45*1.5</b></p>	 <p>Name: <b>T1200 Gutter</b></p> <p>Material: <b>6063-T5 Aluminum Alloy</b></p> <p>Specification: <b>180*150*3</b></p>
 <p>Name: <b>T1200 Pillar</b></p> <p>Material: <b>6063-T5 Aluminum Alloy</b></p> <p>Specification: <b>170*170*3</b></p>	 <p>Name: <b>Water baffle</b></p> <p>Material: <b>6063-T5 Aluminum Alloy</b></p> <p>Specification: <b>110*13.8*0.5</b></p>

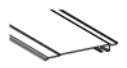












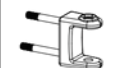







# CASSETTE AWINGS | DQ-A



## DQ-A Internal Structure Diagram

	Upper box cover		Lower box cover		Rear box cover
	Inner box cover		Front tube		Fabric roll tube
	Front pipe connector		Front tube cover		Side panel
	Tube support		Central support		Arm mount
	Round head		Crank arm connector		Wall bracket
	Motor		Crank arm		

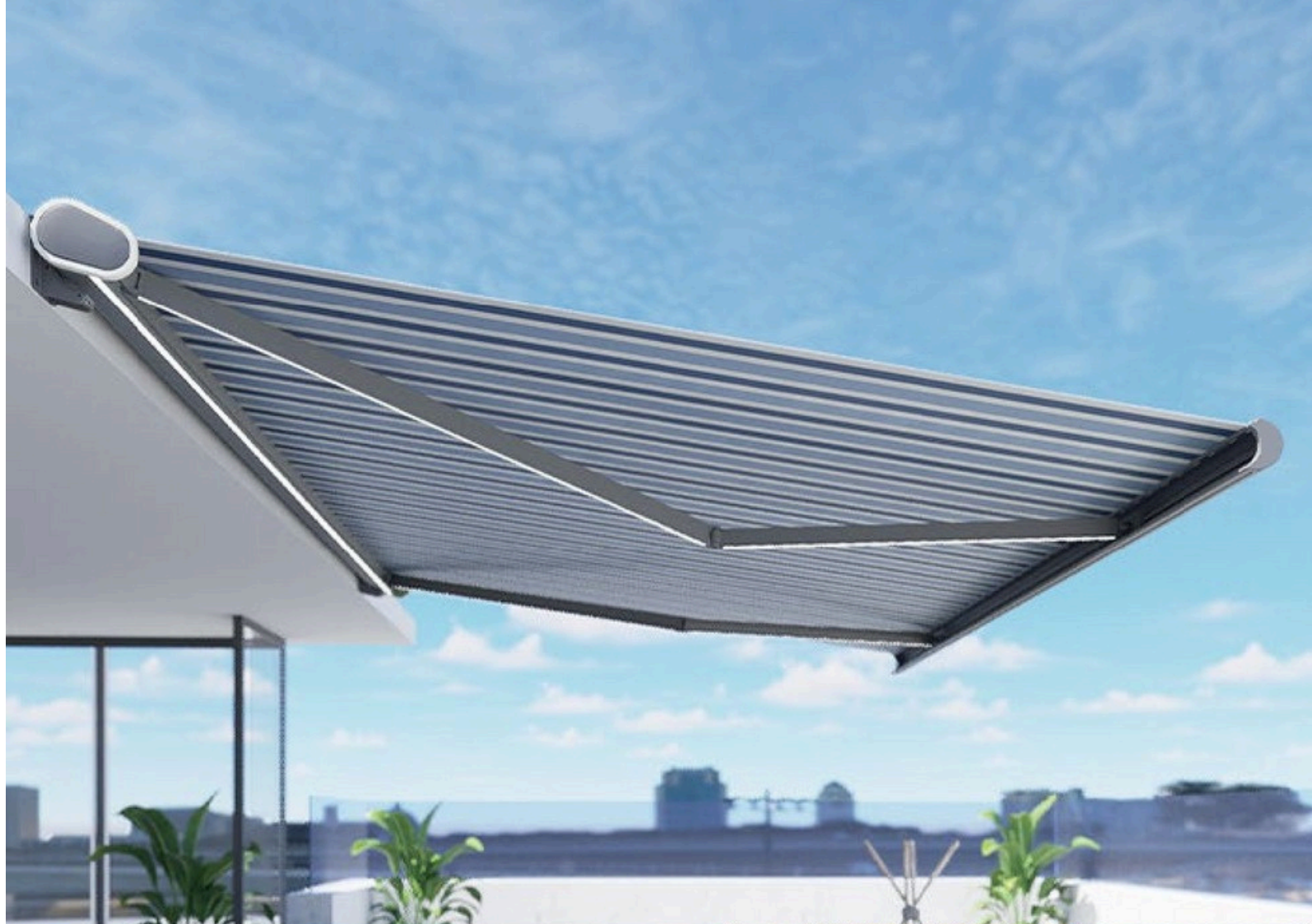
## DQ-A Customizable Size

Extend \ Width (m)	2	2.5	3	3.5	4	4.5	5	~7
1.5	✓	✓	✓	✓	✓	✓	✓	✓
2			✓	✓	✓	✓	✓	✓
2.5				✓	✓	✓	✓	✓
3						✓	✓	✓
3.5						✓	✓	✓

\*The angle of the awning can be adjusted from 0° to 43°



# CASSETTE AWNING | DQ-B



## DQ-B Internal Structure Diagram

	box cover		Inner box cover		Fabric roll tube
	Front tube		Front tube cover		DQ-B Arm mount
	Inner box bracket		Crank arm		Side panel
	Round head		Motor		Side panel cover
	DQ-B Wall bracket				

## DQ-B Customizable Size

Extend \ Width (m)	2	2.5	3	3.5	4	4.5	5	~7
1.5	✓	✓	✓	✓	✓	✓	✓	✓
2			✓	✓	✓	✓	✓	✓
2.5				✓	✓	✓	✓	✓
3						✓	✓	✓
3.5						✓	✓	✓

\*The angle of the awning can be adjusted from 0° to 20°










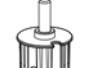






# ORIGINAL AWNING | FB



## FB Internal Structure Diagram

	Fabric roll tube		Front tube		Square tube
	Crank arm connector		Tube support		Crank arm
	Front tube cover		Arm mount		Machine head
	Round head		Wall bracket		Motor

## FB Customizable Size

Extend \ Width (m)	2	2.5	3	3.5	4	4.5	5	5.5	6	~12
1.5	✓	✓	✓	✓	✓	✓	✓	✓	✓	✓
2			✓	✓	✓	✓	✓	✓	✓	✓
2.5				✓	✓	✓	✓	✓	✓	✓
3						✓	✓	✓	✓	✓
3.5						✓	✓	✓	✓	✓





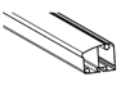

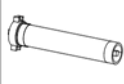




\*The angle of the awning can be adjusted from -7° to 53°



# ORIGINAL AWNING | FE



## FE Internal Structure Diagram

	Egg shaped tube support		Arm mount		Round head
	Fabric roll tube		Front tube		Front tube cover
	Motor		Double crank arm		Wall bracket
	Central support		Square tube cover		

## FE Customizable Size

Extend \ Width (m)	5	5.5	6	6.5	7	7.5	8	8.5	9	~12
3.5	✓	✓	✓	✓	✓	✓	✓	✓	✓	✓
4	✓	✓	✓	✓	✓	✓	✓	✓	✓	✓
4.5	✓	✓	✓	✓	✓	✓	✓	✓	✓	✓
5		✓	✓	✓	✓	✓	✓	✓	✓	✓

\*The angle of the awning can be adjusted from 4° to 28°



## 03 | PRODUCT LIST



**DT-1S** Minimalist Pergola



**F210** Heavy-type Louvered Pergola

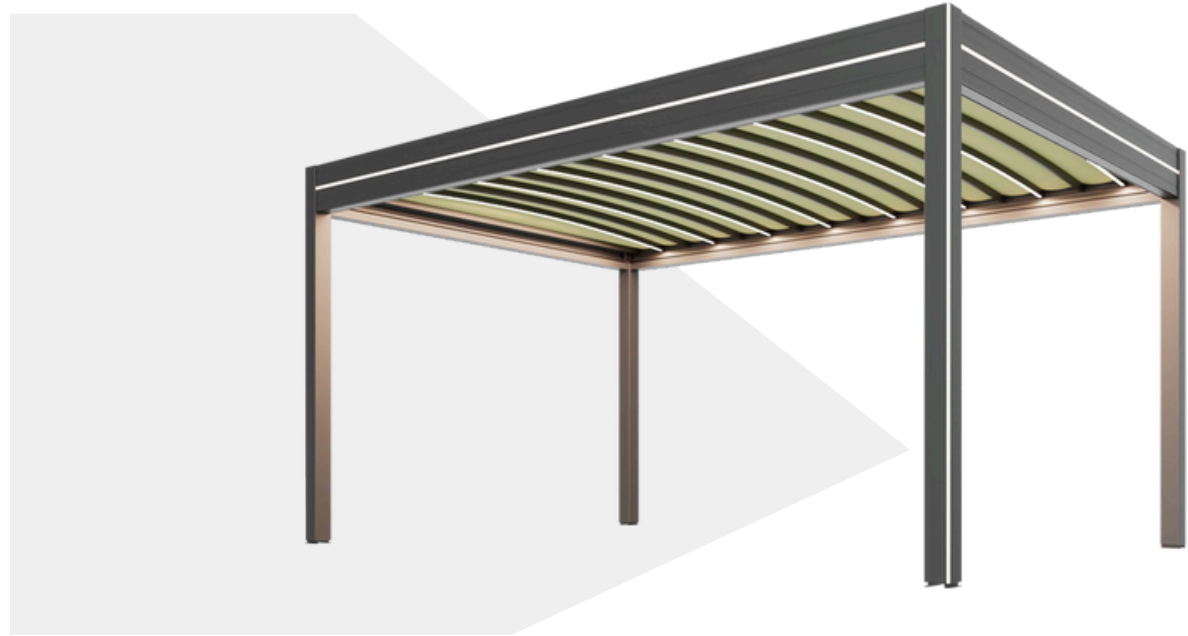


**F168** Light-type Louvered Pergola



**HF228** Retractable Louvered Pergola

# MINIMALIST PERGOLA | DT-1S



## DT-1S Product Parameters

- **Fabric Color:** Gray, white, beige (custom colors available)
- **Material:** 6063-T5 aluminum alloy
- **Dimensions:** Single set width up to 5m / extension up to 10m
- **Surface Treatment:** Powder coating, anodizing
- **Crossbar Spacing:** 500mm
- **Rain Protection:** Fully waterproof

## DT-1S Customizable Size

Extend \ Width (m)	2	2.5	3	3.5	4	4.5	5
1.5	✓	✓	✓	✓	✓	✓	✓
2	✓	✓	✓	✓	✓	✓	✓
2.5	✓	✓	✓	✓	✓	✓	✓
3	✓	✓	✓	✓	✓	✓	✓
3.5	✓	✓	✓	✓	✓	✓	✓
4	✓	✓	✓	✓	✓	✓	✓
4.5	✓	✓	✓	✓	✓	✓	✓
~10	✓	✓	✓	✓	✓	✓	✓

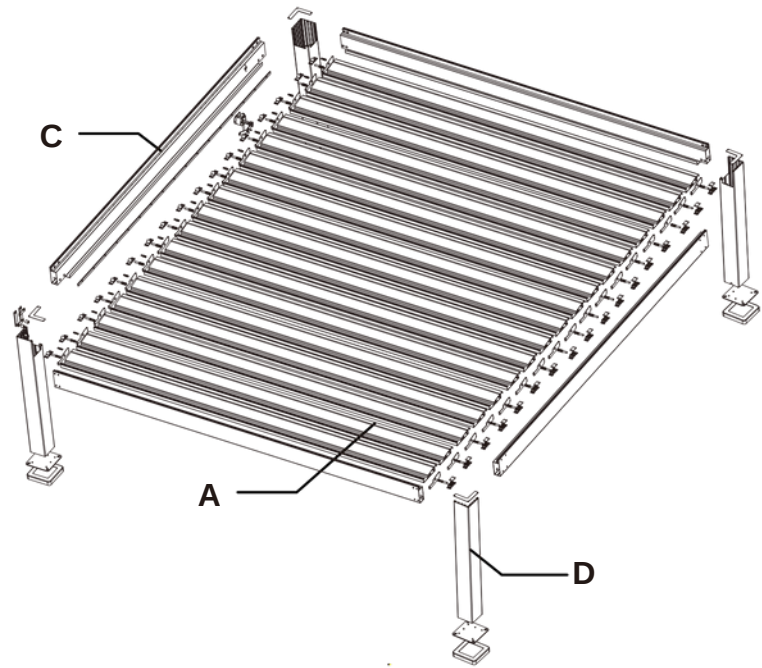
\*A double-layer roller tube must be used for 4m-6m.



# LIGHT-TYPE LOUVERED PERGOLA | F168



**F168 Internal Structure Diagram**



Code	Name	Size	Profile drawing
A	Bl ad es	168* 35* 1. 5	
B	Drainage tro ug h	140* 85* 1. 5	
C	P o sts	120* 120* 1. 5	

**F168 Customizable Size**

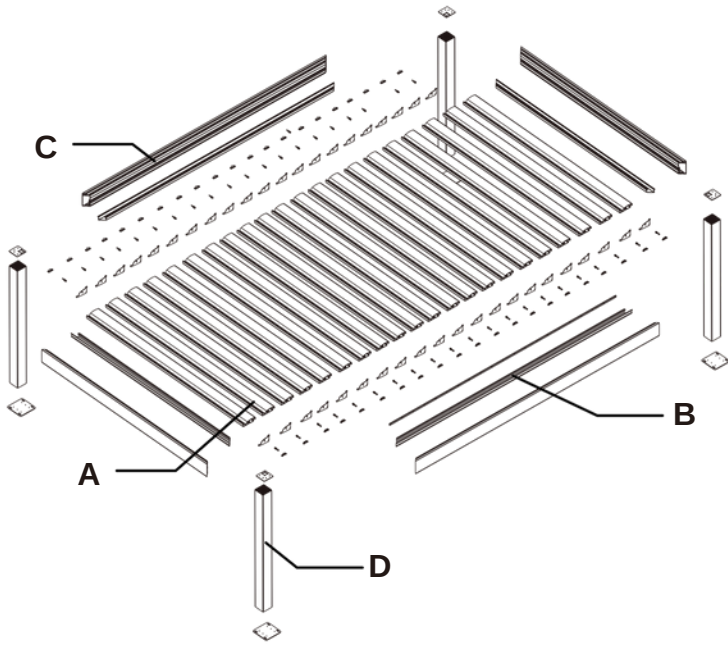
Extend \ Width (m)	1.5	2	2.5	3	3.5
1	✓	✓	✓	✓	✓
1.5	✓	✓	✓	✓	✓
2	✓	✓	✓	✓	✓
2.5	✓	✓	✓	✓	✓
~6	✓	✓	✓	✓	✓



# HEAVY-TYPE LOUVERED PERGOLA | F210



**F210 Internal Structure Diagram**



F210			
Code	Name	Size	Profile drawing
A	Bl ad es	210* 50* 1. 6	
B	Drainage tro ug h	74* 58* 1. 5	
C	Edgebeam	200*68*2.3	
D	P o sts	150* 150* 3. 0	

**F210 Customizable Size**

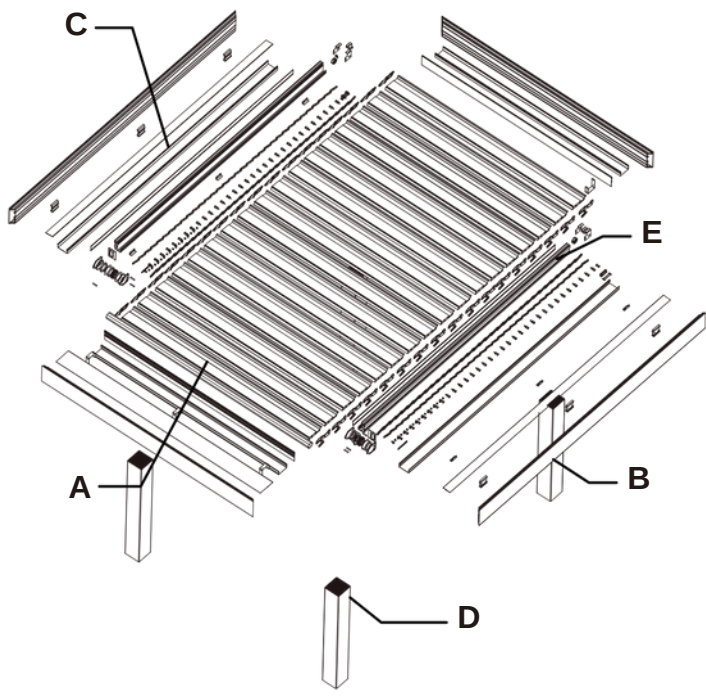
Extend \ Width (m)	2	2.5	3	3.5	4
1.5	✓	✓	✓	✓	✓
2	✓	✓	✓	✓	✓
2.5	✓	✓	✓	✓	✓
3	✓	✓	✓	✓	✓
~6	✓	✓	✓	✓	✓



# RETRACTABLE LOUVERED PERGOLA | HF228



**HF228 Internal Structure Diagram**



Code	Name	Size	Profile drawing
A	Blinds	228* 40* 1.8	
B	Edge beam	250* 50* 2.5	
C	Drainage trough	142* 55* 1.5	
D	Pos ts	200* 200* 3.0	
E	Guide rail	142* 60* 2.0	

## HF228 Customizable Size

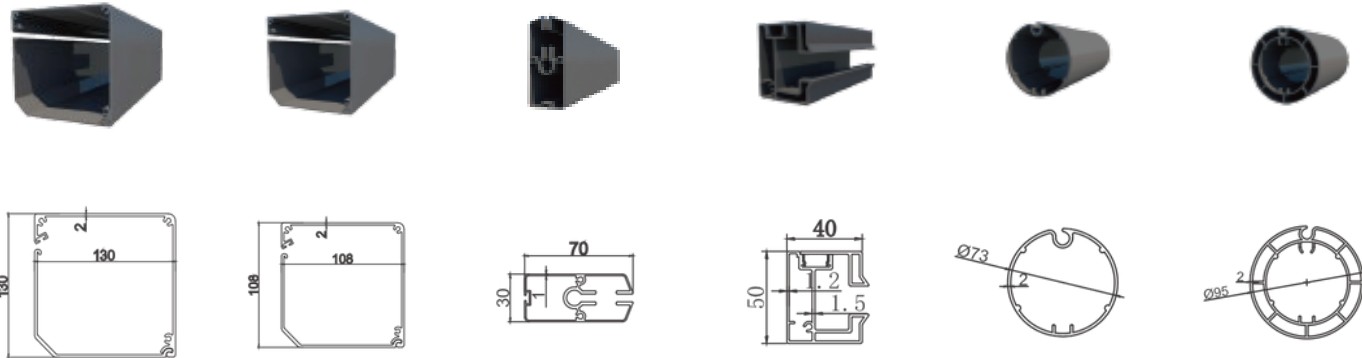
Extend \ Width (m)	2	2.5	3	3.5	4
1.5	✓	✓	✓	✓	✓
2	✓	✓	✓	✓	✓
2.5	✓	✓	✓	✓	✓
3	✓	✓	✓	✓	✓
~6	✓	✓	✓	✓	✓



# 04 ZIP SCREEN BLINDS | DR-S



## DR-S Material Parameters



<p>Name: <b>Large Cover Box</b></p> <p>Material: <b>6063-T5 Aluminum Alloy</b></p> <p>Specification: <b>130*130*2</b></p>	<p>Name: <b>Cover Box</b></p> <p>Material: <b>6063-T5 Aluminum Alloy</b></p> <p>Specification: <b>108*108*2</b></p>	<p>Name: <b>Bottom Rail</b></p> <p>Material: <b>6063-T5 Aluminum Alloy</b></p> <p>Specification: <b>30*70*1</b></p>	<p>Name: <b>Side Rail</b></p> <p>Material: <b>6063-T5 Aluminum Alloy</b></p> <p>Specification: <b>40*50*1.2</b></p>	<p>Name: <b>Rolling Fabric tube</b></p> <p>Material: <b>6063-T5 Aluminum Alloy</b></p> <p>Specification: <b>∅ 73*2</b></p>	<p>Name: <b>Double layer rolling fabric tube</b></p> <p>Material: <b>6063-T5 Aluminum Alloy</b></p> <p>Specification: <b>∅ 95*2</b></p>
---	---	---	---	--	---

Unit: mm

## DR-S Customizable Size

Extend \ Width (m)	2	2.5	3	3.5	4	4.5	5	5.5	6
1.5	✓	✓	✓	✓	✓	✓	✓	✓	✓
2	✓	✓	✓	✓	✓	✓	✓	✓	✓
2.5	✓	✓	✓	✓	✓	✓	✓	✓	✓
3	✓	✓	✓	✓	✓	✓	✓	✓	✓
~5	✓	✓	✓	✓	✓	✓	✓	✓	✓

\*A double-layer roller tube must be used for 4m-6m.



# 05 VERTICAL WINDOW AWNING | C102



## C102 Internal Structure Diagram

	Side Panel Cover		Side Panel		Fabric Roll Tube
	Front Tube		Front Tube Cover		Cover Box
	Round Head		Movable Cover		Motor
	Mounting Bracket		Fastener		Steel Wire

## C102 Customizable Size


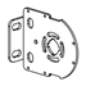
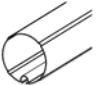
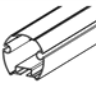


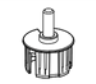

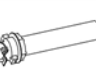
Extend \ Width (m)	2	2.5	3	3.5	4
1.5	✓	✓	✓	✓	✓
2	✓	✓	✓	✓	✓
2.5	✓	✓	✓	✓	✓
3	✓	✓	✓	✓	✓



# 05 SWING ARM WINDOW AWNING | C104



## C104 Internal Structure Diagram

	Side Panel Cover		Side Panel		Fabric Roll Tube
	Front Tube		Front Tube Cover		Cover Box
	Round Head		Movable End Cap		Motor

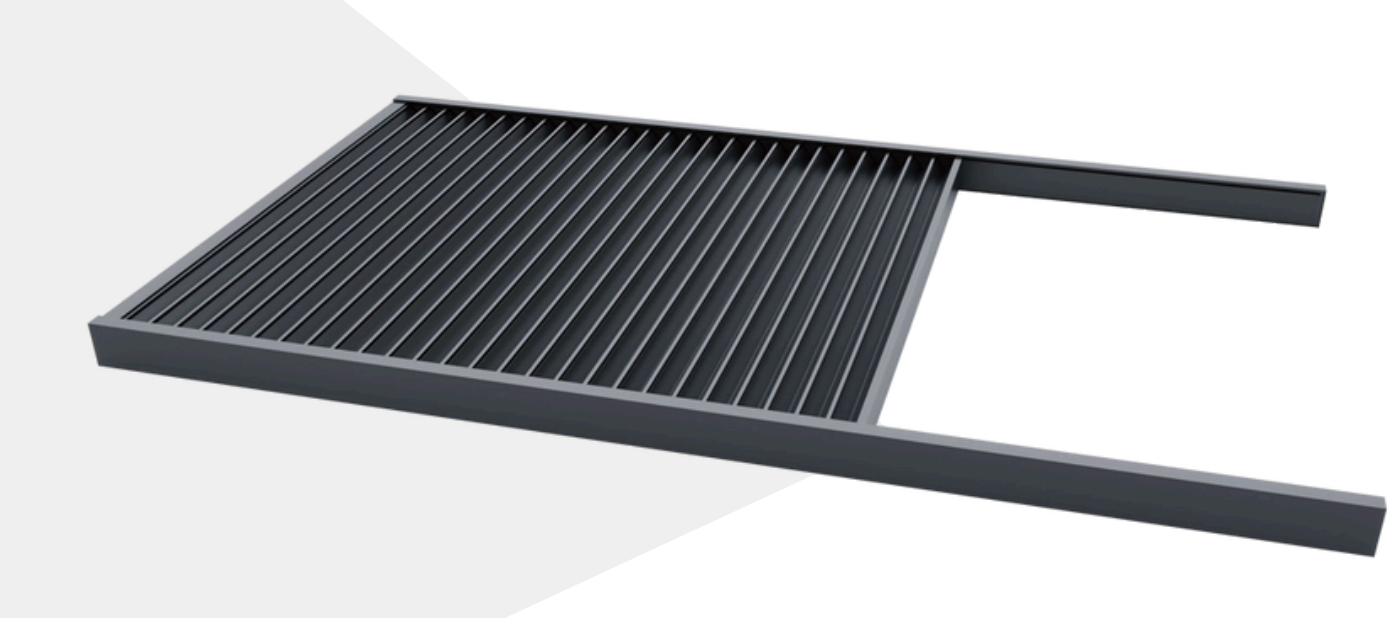
## C104 Customizable Size

Extend \ Width (m)	2	2.5	3	3.5	4
0.75	✓	✓	✓	✓	✓
1	✓	✓	✓	✓	✓
1.2	✓	✓	✓	✓	✓
1.5	✓	✓	✓	✓	✓

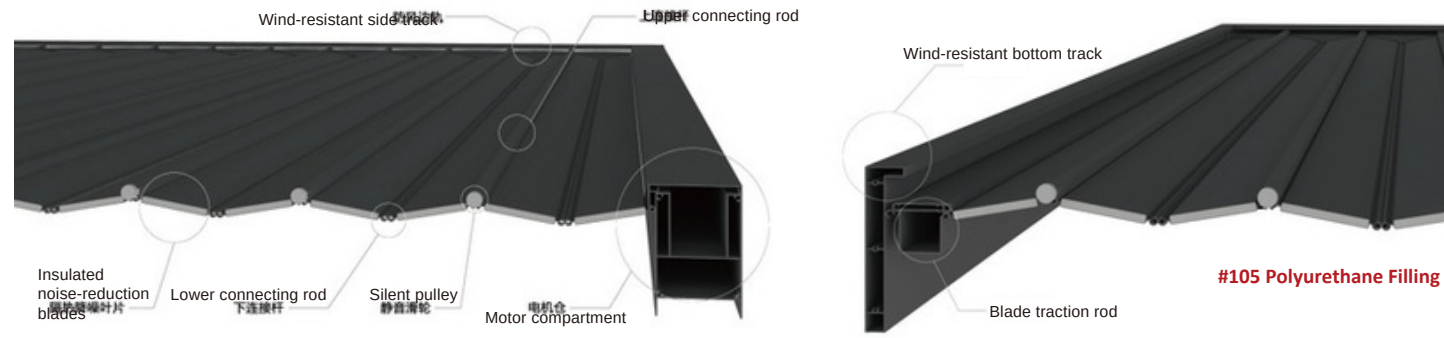
\*The maximum arm length is 1.5 meters, and the maximum fabric length is 3 meters.



# 06 FOLDING ROOF ROLLER SHUTTERS | M120



## M120 Internal Structure Diagram



### M120 Profile Blades

Polyurethane Foam



**Production parameters:**

- Max width: **5m**
- Max length: **10m**
- Max area: **40m<sup>2</sup>**

Weight: approx. **9.5KG/ m<sup>2</sup>**

### M120 Profile Blades

No foam



**Production parameters:**

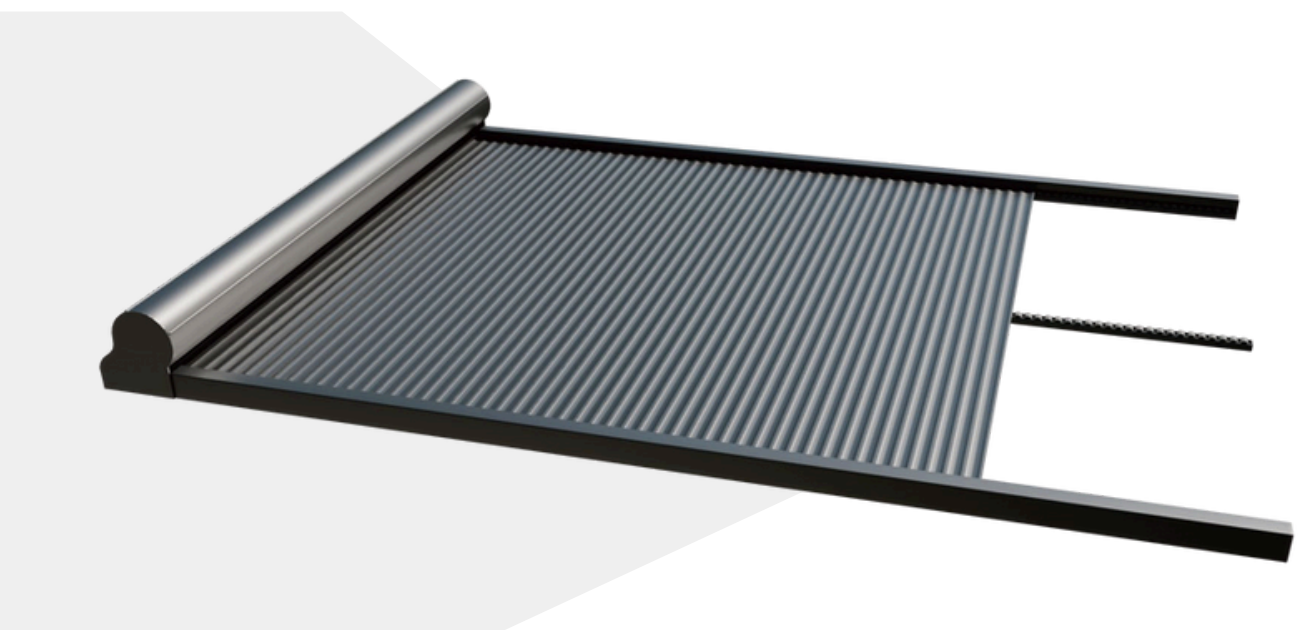
- Max width: **5m**
- Max length: **10m**
- Max area: **40m<sup>2</sup>**

Weight: approx. **8.5KG/ m<sup>2</sup>**

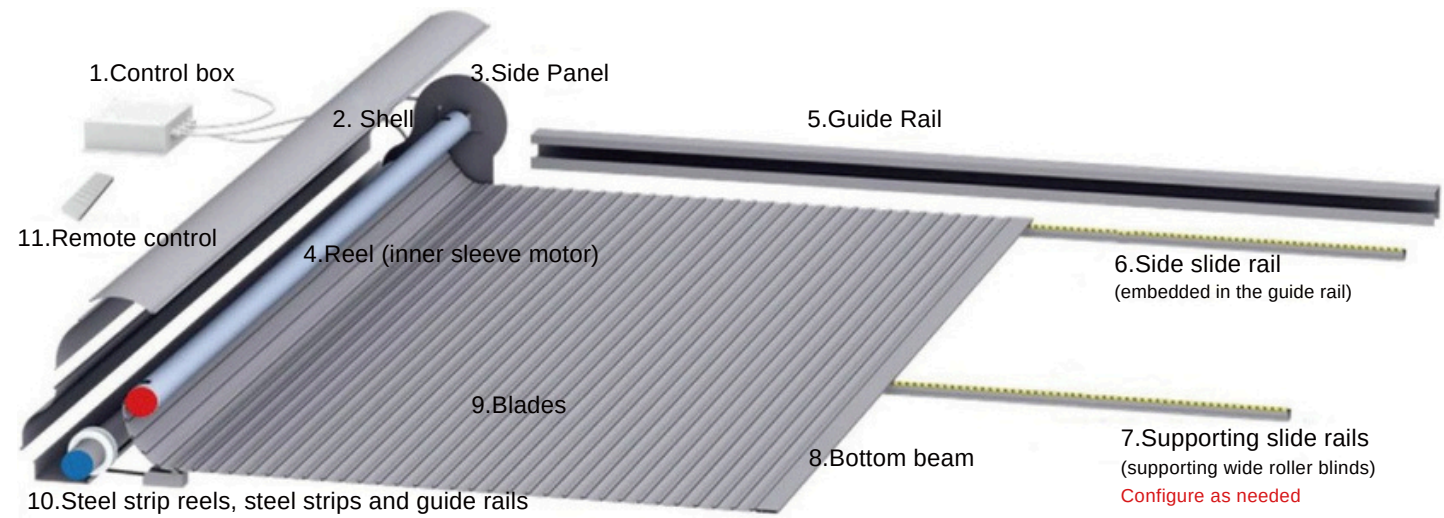
Cross-section Diagram					
Name	Blade	Motor Bracket	Side Rail	Bottom Beam	Hanger Strip
Material	Aluminum Alloy + Polyurethane Foam	Aluminum Alloy	Aluminum Alloy	Aluminum Alloy	Aluminum Alloy
Specification	120*12*0.8mm	158*94*1.6mm	185*70*1.6mm	158*62*1.6mm	22*26*1.0mm



# 06 ALUMINUM ROOF ROLLER SHUTTERS | DM-B

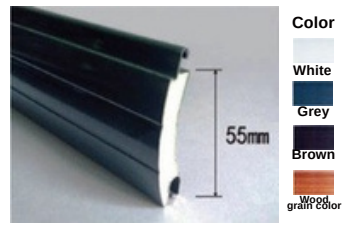


## DM-B Internal Structure Diagram



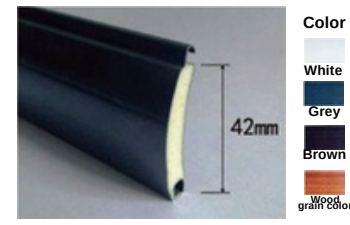
## Blade parameters

**55# series full blackout roller blinds**  
 (aluminum alloy + polyurethane foam)



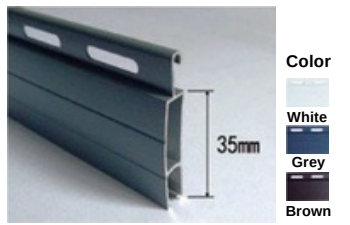
**Production parameters:**  
 •Max area: **30m<sup>2</sup>**  
 •Max width: **6m**  
 •Max length: **7m**

**42# series full blackout roller blinds**  
 (aluminum alloy + polyurethane foam)



**Production parameters:**  
 •Max area: **15m<sup>2</sup>**  
 •Max width: **3.5m**  
 •Max length: **5m**

**35# series "Gypsophila" roller blinds**  
 (aluminum alloy profiles with light holes)



**Production parameters:**  
 •Max area: **20m<sup>2</sup>**  
 •Max width: **6m**  
 •Max length: **7m**



# 06 ROOF ROLLER BLINDS | T06



## T06 Internal Structure Diagram

	Upper box cover		Lower box cover		Side panel
	Movable assembly		Mounting bracket		Front tube
	Guide rail end cap		Spring		Motor
	Hanging wheel		Cord reel		Fastener

## T06 Customizable Size

Extend \ Width (m)	2	2.5	3	3.5	4	4.5	5	5.5	6
1.5	✓	✓	✓	✓	✓	✓	✓	✓	✓
2	✓	✓	✓	✓	✓	✓	✓	✓	✓
2.5	✓	✓	✓	✓	✓	✓	✓	✓	✓
3	✓	✓	✓	✓	✓	✓	✓	✓	✓
3.5	✓	✓	✓	✓	✓	✓	✓	✓	✓
4	✓	✓	✓	✓	✓	✓	✓	✓	✓
4.5			✓	✓	✓	✓	✓	✓	✓
5			✓	✓	✓	✓	✓	✓	✓
5.5					✓	✓			
6					✓	✓			

