

PRODUCT CATALOGUE

CUSTOMIZABLE·QUALITY·DESIGN

COMPANY PROFILE



Builder Solution was founded on the principles of integrity, quality, and innovation. Our journey began with a passion for building and creating living spaces that bring inspiration, provide comfort and delights the end user. We believe that every project tells a unique story that is built for the memories yet to come. We are a leading trading company specializing in exceptional designs for interior and exterior living spaces for building contractors and home renovation experts.



Roller blinds



Zebra blinds



Shangri-la blinds



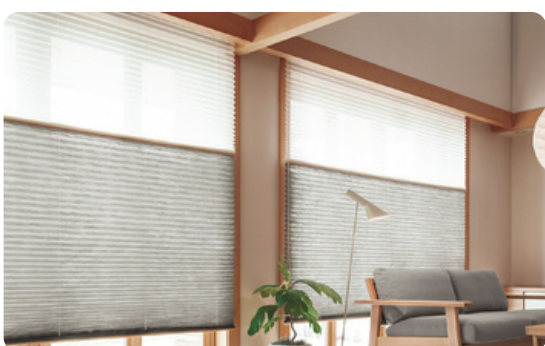
Aluminum venetian blinds



Faux wood venetian blinds



Vertical blinds



Honeycomb blinds



Outdoor blinds



Curtain & Tracks



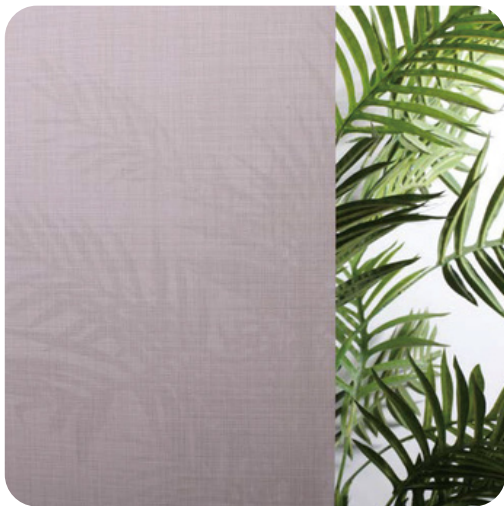
Roller Blinds

Specialist in blinds

Product Features

The eco-friendly and durable fabric is made into a variety of shading effects: transparent, semi-blackout, blackout, with unique design and functions of insulation, dust-proof, shading and light filtering, which is becoming a new favorite in home decoration.

Fabric Shading Effect



Transparent



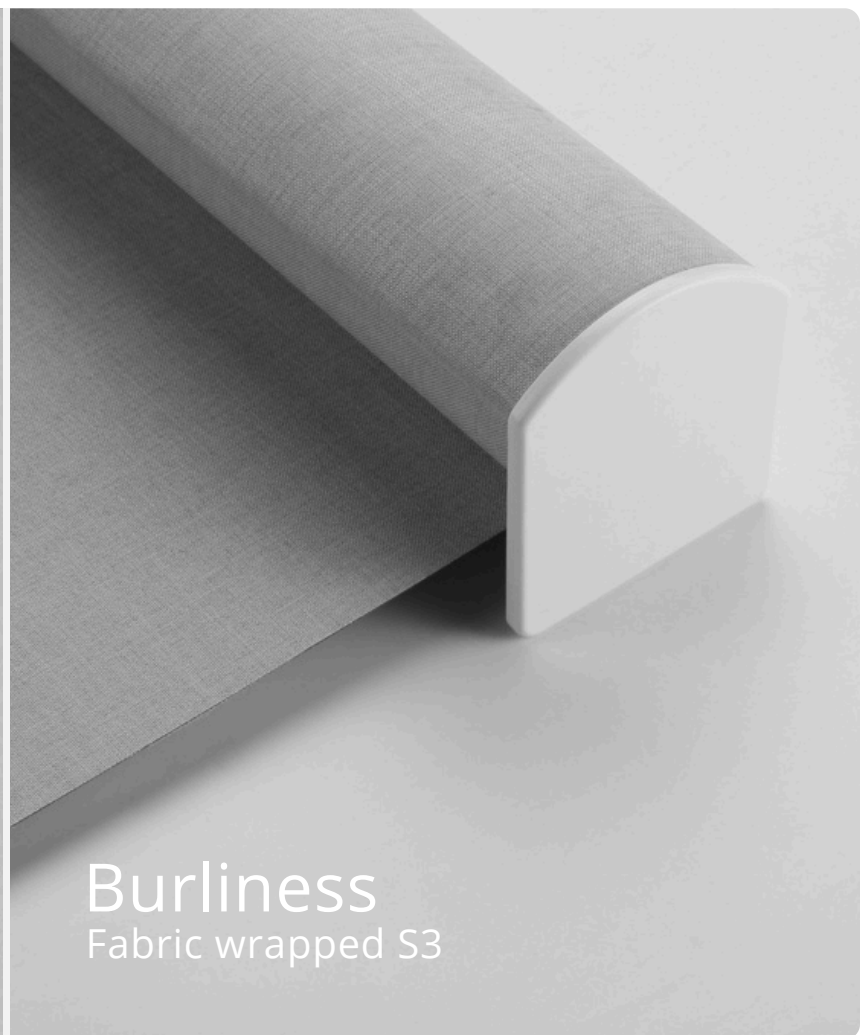
Semi-blackout



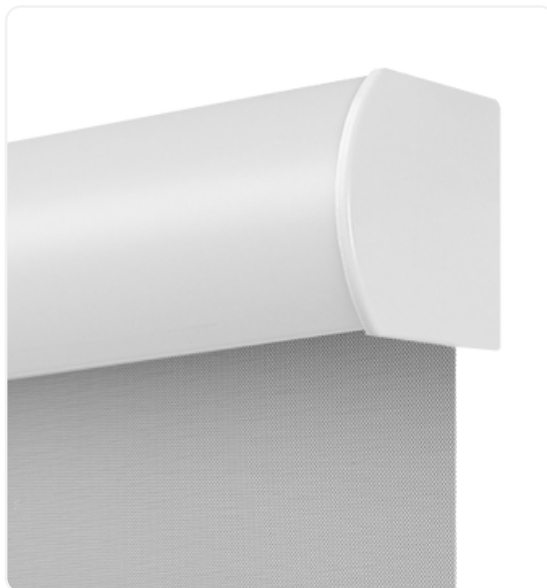
Full blackout



Available Valance



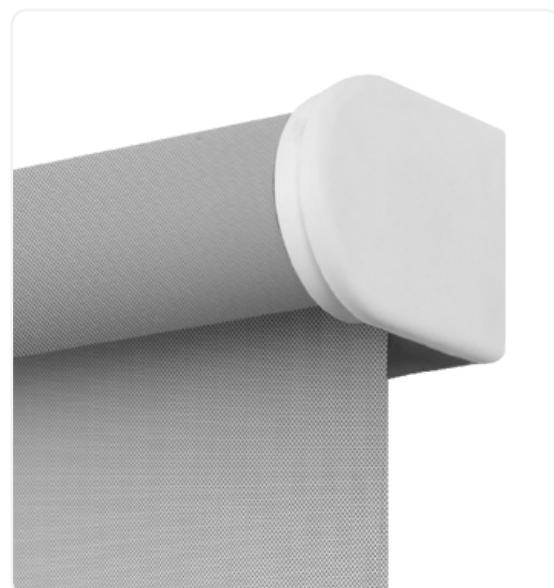
Fabric inserted S1



Curve white S2



Fabric wrapped S3



Simple rolling



Easy charging



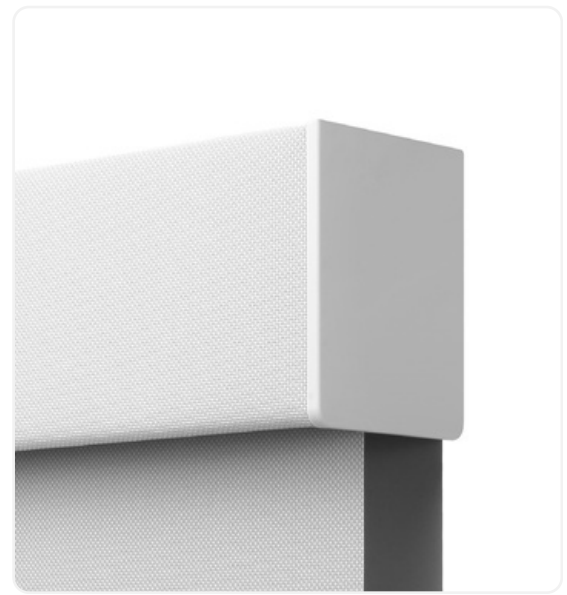
Beam simple rolling



Fabric inserted Z1
(day&night blinds)

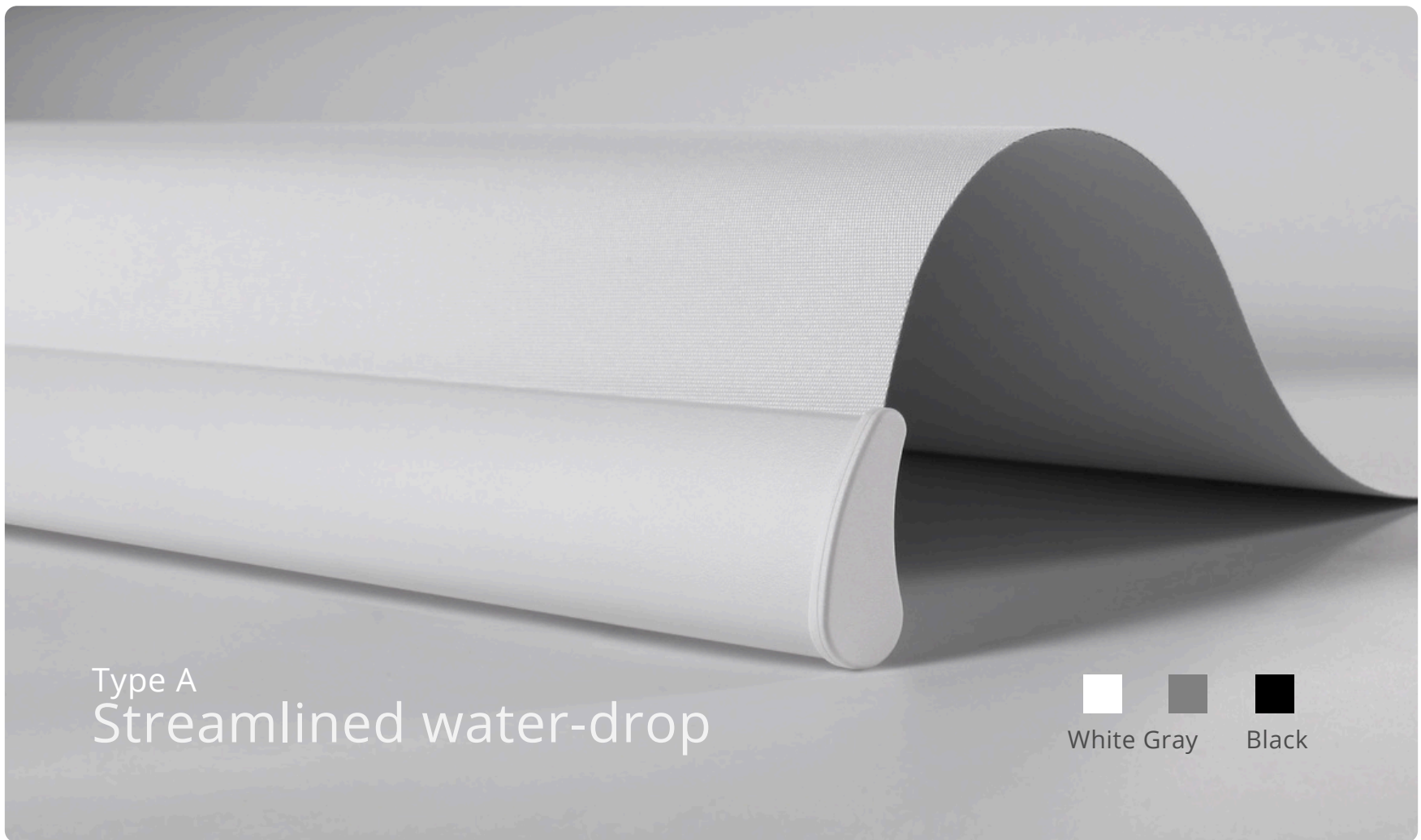


End cap free Z2
(day&night blinds)



Fabric wrapped Z3
(day&night blinds)

Bottom Rail



Type A
Streamlined water-drop

White Gray Black



White Gray Black

Type B

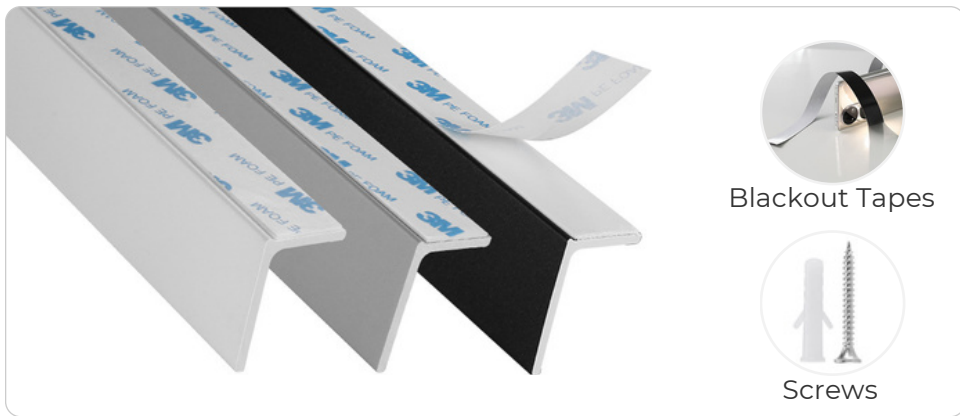


Type C



Type D

Features Configuration

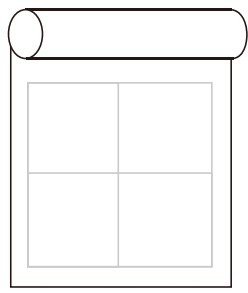


Adhesive L shape

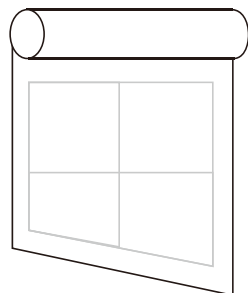


Aluminium U shape

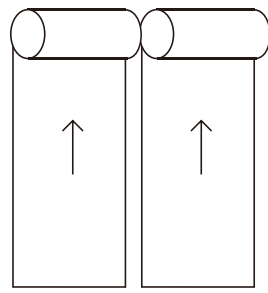
Light Blocker



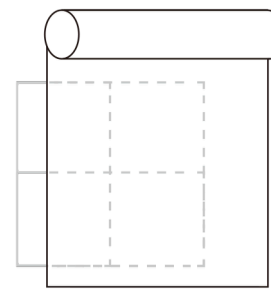
Rectangular



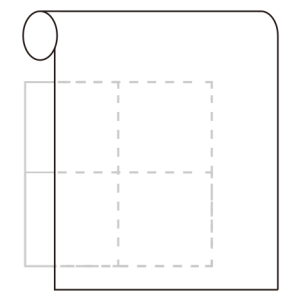
Sloping Cill



Multiple linked



Forward Roll



Reverse Roll

Rectangular

Sloping Cill: The fabric is cut at an angle, Note: the blind cannot be fully retracted.

Multiple Linked: A single motor operates two or more blinds.

Forward Roll: Fabric rolls off the back, closest to the glazing.

Reverse Roll: Fabric rolls off the front, giving extra clearance for window handles.

Control Systems



Bead chain/Wand
(plastic/metal)



Cordless

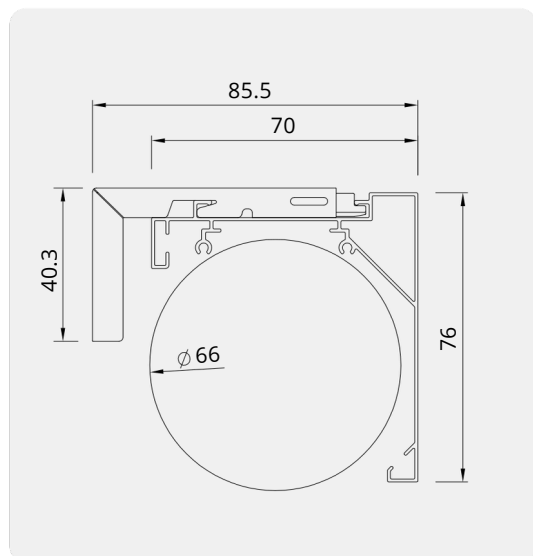


Motorized

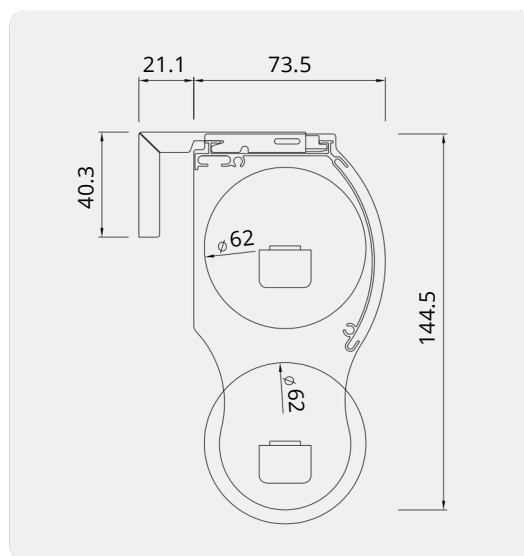


Manual-Automatic 2 in 1

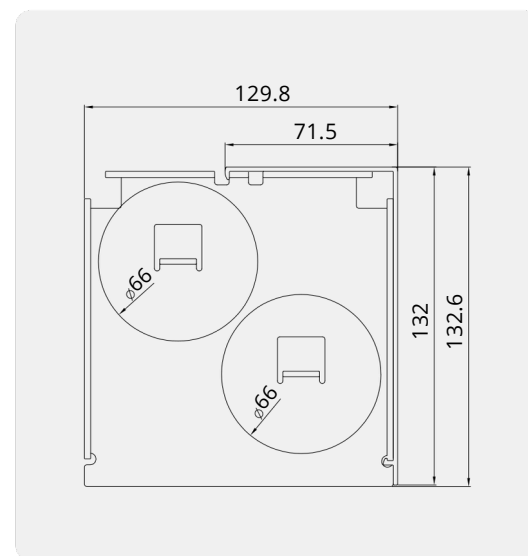
Parameters of Valance & Tube



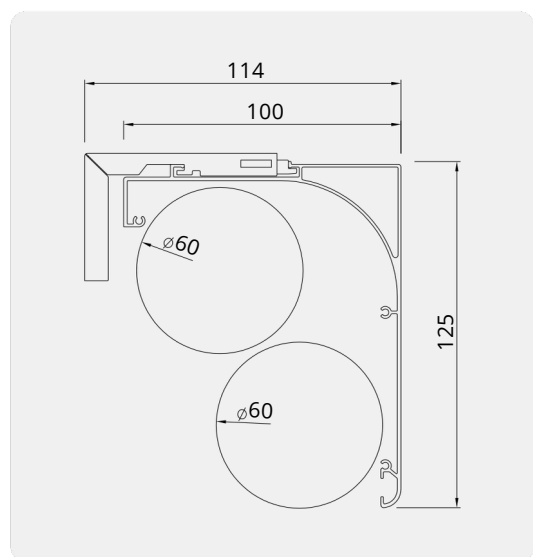
Square V2



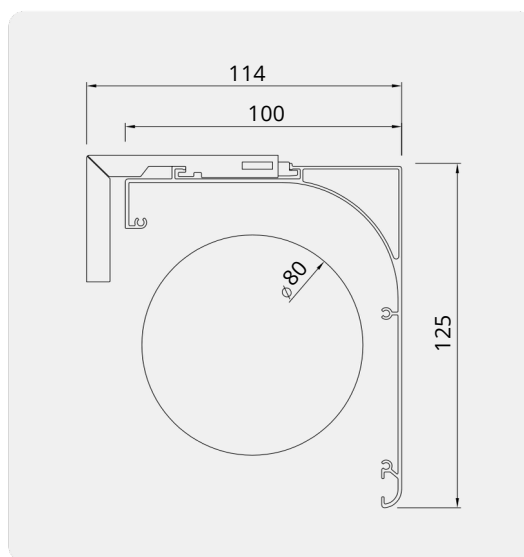
Fabric inserted Z1 (day&night)



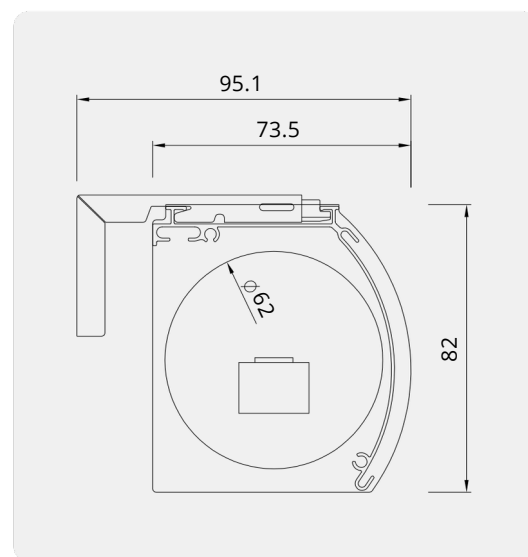
End cap free Z2 (day&night)



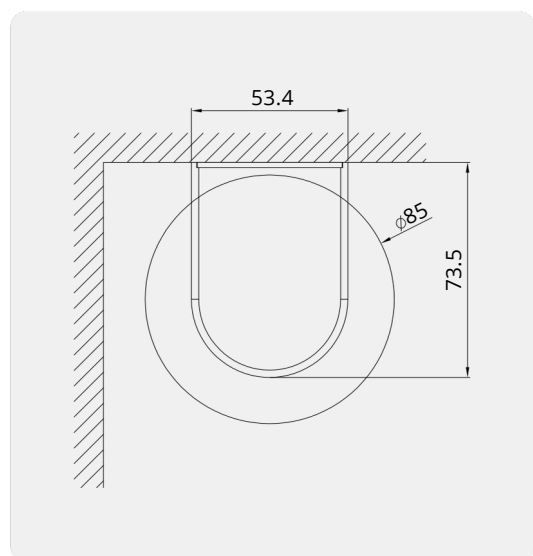
White or Fabric wrapped Z3 (day&night)



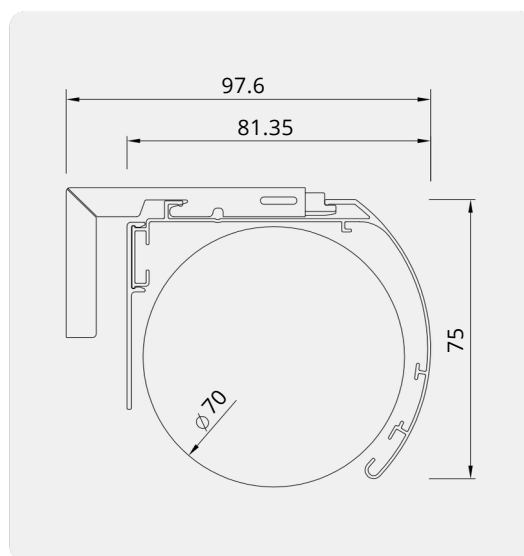
White or Fabric wrapped Z3



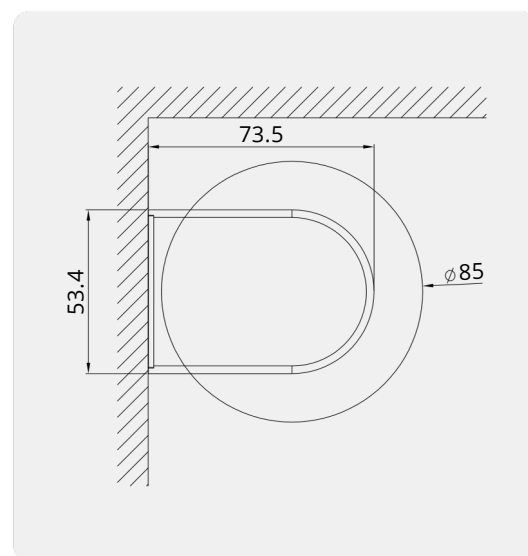
Fabric inserted S1



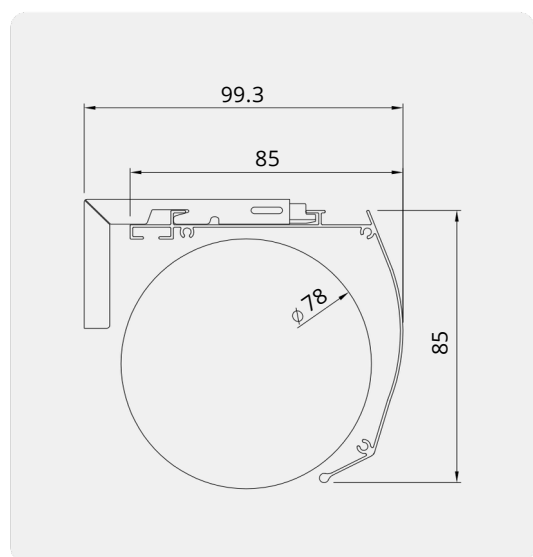
Ceiling mount simple rolling



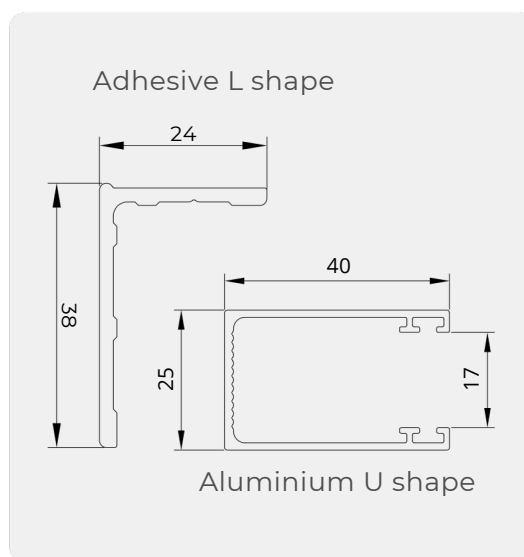
Fabric wrapped S3



Wall mount simple rolling



Large cassette



Light blocker



Roller Blinds Customizable Size					
Valance/Cassette/Cover	Customizable size	Bead chain	Cordless	Motorized	Manual& Motorized 2 in 1
Simple rolling	Width(cm)	50-230	\	50-230	\
	Height(cm)	50-300	\	50-400	\
	Fabric deduction(cm)	2.7	\	2.7	\
Beam simple rolling	Width(cm)	50-230	\	50-230	\
	Height(cm)	230	\	230	\
	Fabric deduction(cm)	2.2	\	2.2	\
Easy charging	Width(cm)	\	\	38-230	\
	Height(cm)	\	\	50-230	\
	Fabric deduction(cm)	\	\	3.4	\
Curved	Width(cm)	50-230	\	50-230	\
	Height(cm)	50-430		50-430	
	Fabric deduction(cm)	2.6		2.6	
S1-fabric inserted	Width(cm)	50-230	\	50-230	\
	Height(cm)	50-260	\	50-260	\
	Fabric deduction(cm)	2.5	\	2.5	\
V2- square valance	Width(cm)	50-230	50-230	50-230	52 -230
	Height(cm)	50-320	50-300	50-320	50-280
	Fabric deduction(cm)	2.6	2.1	2.6	2.8
S2 white / S3 fabric wrapped	Width(cm)	50-230	50-230	50-230	52 -230
	Height(cm)	50-350	50-300	50-350	50-280
	Fabric deduction(cm)	2.8	2.4	2.8	3.1
Fabric inserted Z1(day&night)	Width(cm)	50-220	50-220	50-220	\
	Height(cm)	50-260	50-260	50-260	\
	Fabric deduction(cm)	2.3	1.8	2.3	\
End cap free Z2 (day&night)	Width(cm)	50-230	\	50-230	\
	Height(cm)	50-320	\	50-320	\
	Fabric deduction(cm)	3.3	\	3.3	\
White or Fabric wrapped Z3 (day&night)	Width(cm)	50-230	50-230	50-230	\
	Height(cm)	50-250	50-250	50-250	\
	Fabric deduction(cm)	2.6	2.4	2.6	\

*The mini width for AM28 is 65cm



Zebra Blinds

Specialist in blinds

Product Features

Our zebra shades offer a versatile range of colors, textures, and prints with simple yet elegant light control options.

Fabric Shading Effect



Open



Close



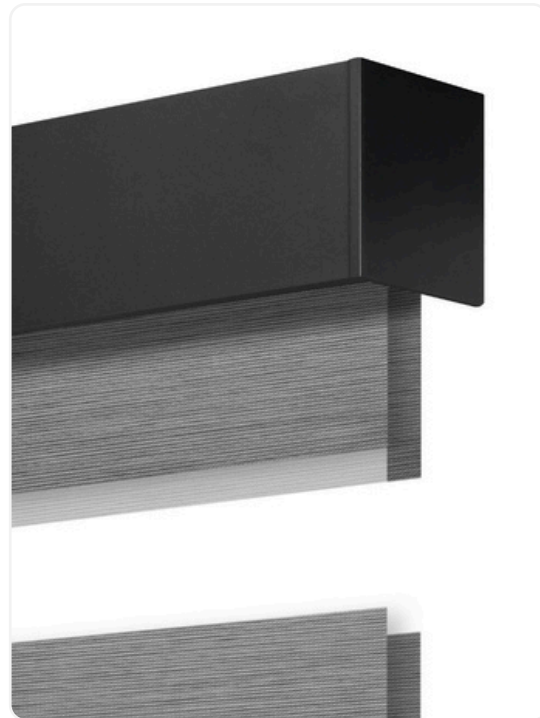
Available Valance



Square V2 | White



Square V2 | Gray



Square V2 | Black



Fabric inserted S1



Curve white S2



Fabric wrapped S3



White Z3



Fabric wrapped Z3

Bottom Rail



Type A | White



Type A | Gray



Type A | Black

Control Systems



Bead Chain
(plastic/metal)



Cordless

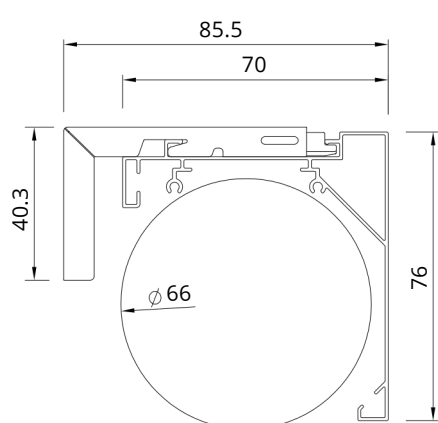


Motorized

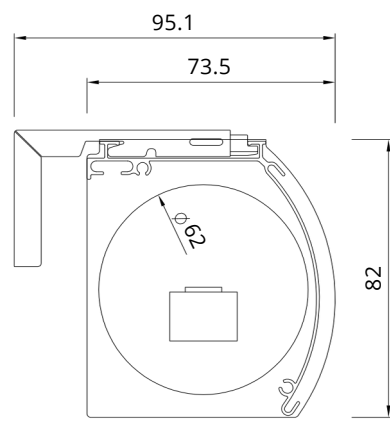


Manual-Automatic 2 in 1

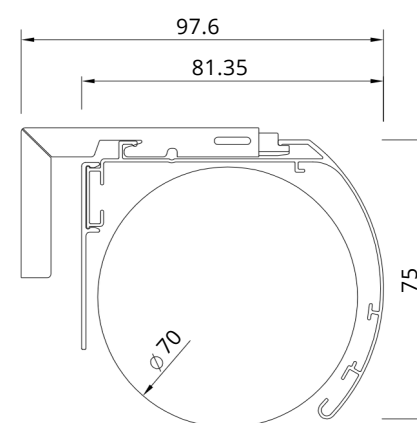
Parameters of Valance & Tube



Square V2



Fabric inserted S1



White S2/Fabric wrapped S3



Zebra Shades Customizable Size				
Valance/Cassette/Cover	Customizable size	Bead chain	Cordless	Motorized
S1-fabric inserted	Width(cm)	50-230	\	50-230
	Height(cm)	50-220	\	50-220
	Fabric deduction(cm)	2.6	\	2.6
V2- square valance	Width(cm)	50-230	50-230	50-230
	Height(cm)	50-260	50-260	50-260
	Fabric deduction(cm)	2.7	2.2	2.7
Curved	Width(cm)	50-230	\	50-230
	Height(cm)	50-330		50-330
	Fabric deduction(cm)	2.7		2.7
S2 white / S3 fabric wrapped	Width(cm)	50-230	50-230	50-230
	Height(cm)	50-280	50-280	50-280
	Fabric deduction(cm)	3	2.5	3
White or Fabric wrapped Z3 (day&night)	Width(cm)	50-230	50-230	50-230
	Height(cm)	50-200	50-200	50-200
	Fabric deduction(cm)	2.7	2.2	2.7

*The mini width for AM28 is 65cm



03

Shangri-la Blinds

Specialist in blinds

Product Features

Create a harmony of light and shade with the elegant stylings of Shangri-La Sheer Blinds. This luxurious blinds softly filter light into the home and combine the sophistication of drapery with the functionality of shades.

Fabric Shading Effect



Available Valance



Square V2 | White



Square V2 | Gray



Square V2 | Black

Bottom Rail



Bottom rail

Control Systems

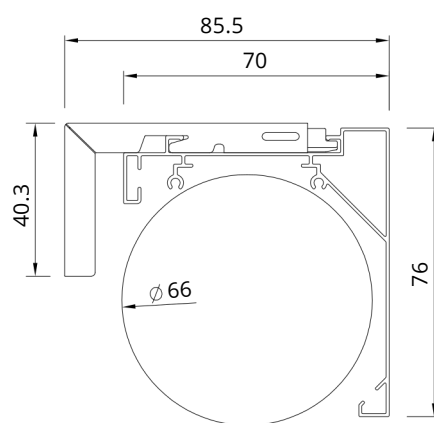


Bead Chain (plastic/metal)

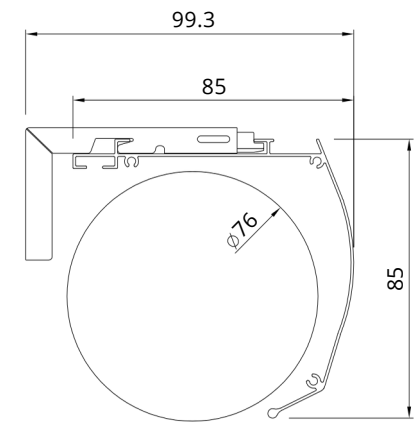


Motorized

Parameters of Valance & Tube



Square V2



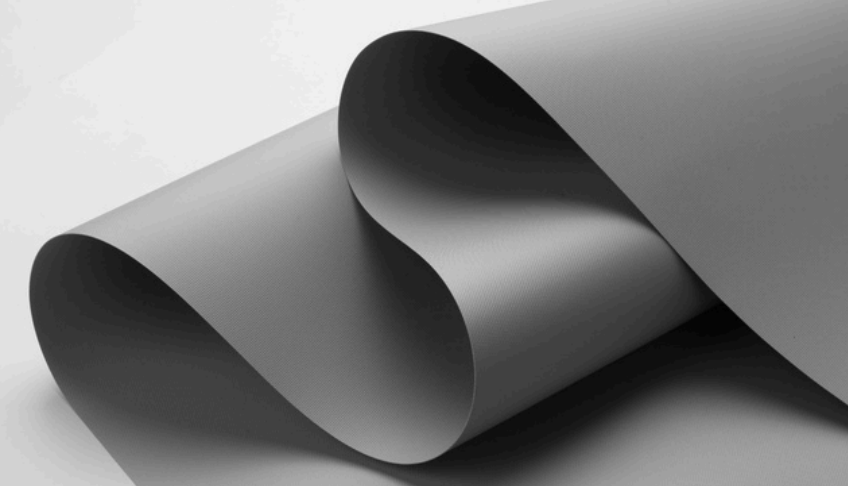
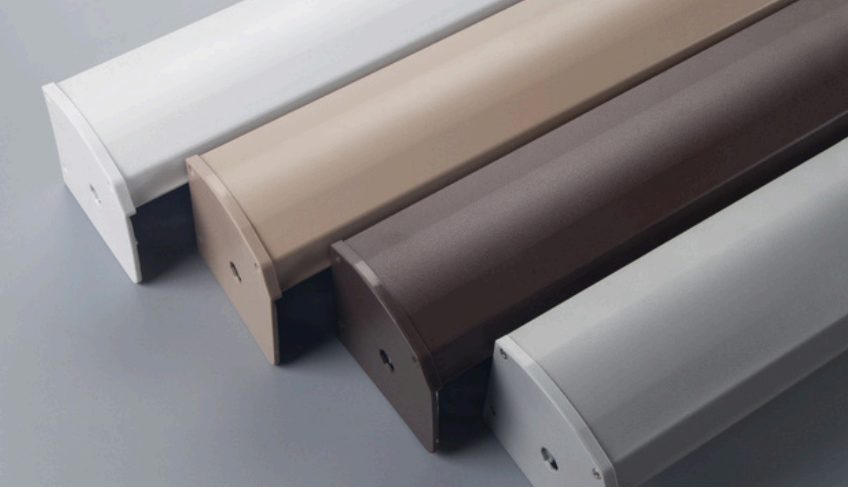
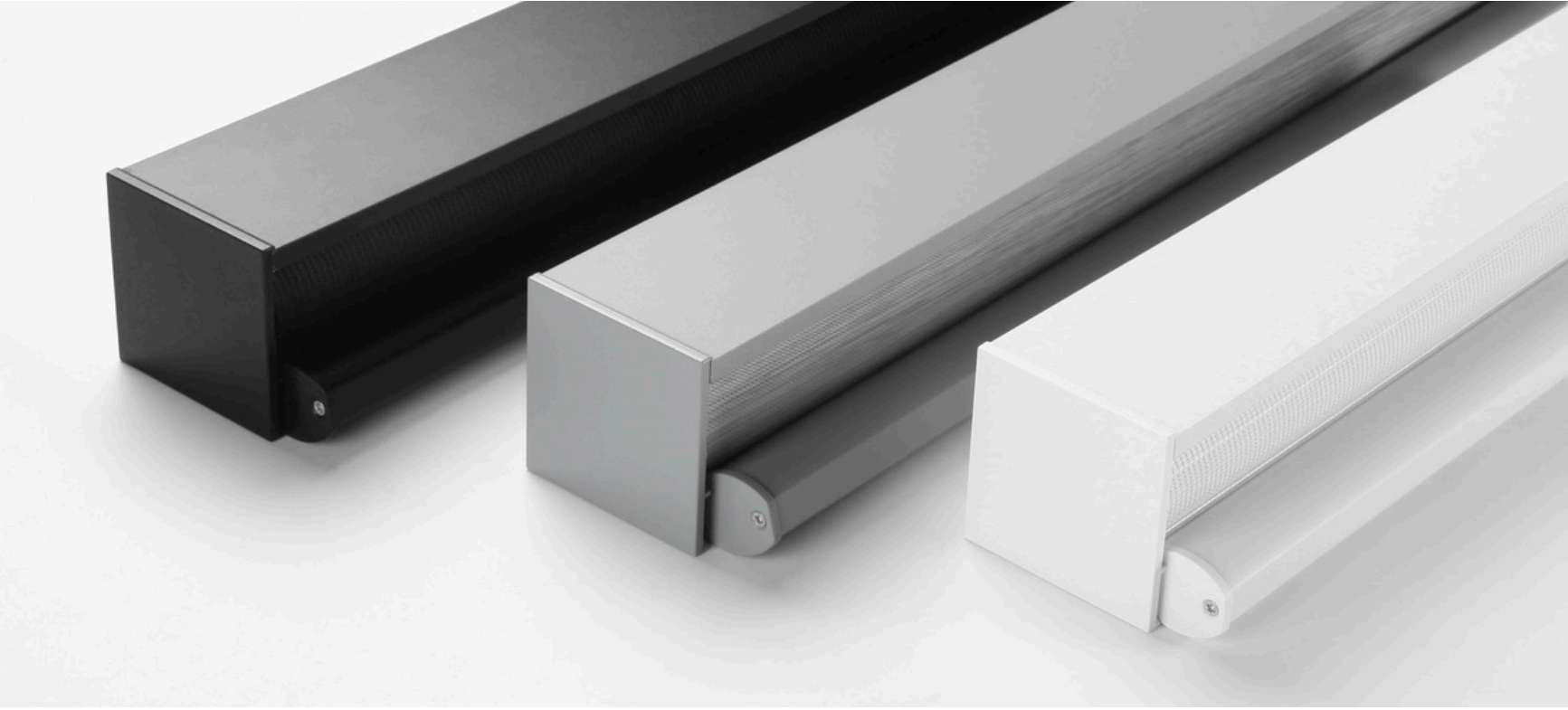
Valance

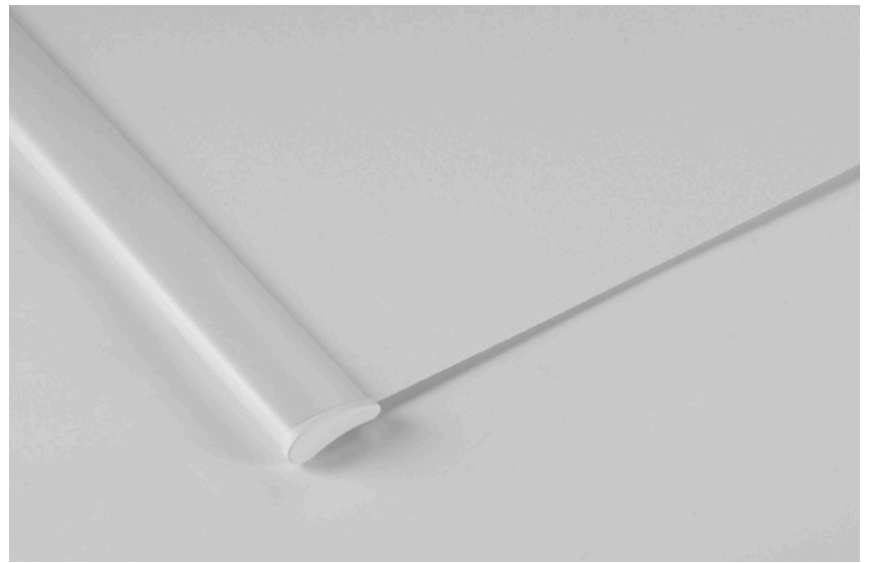
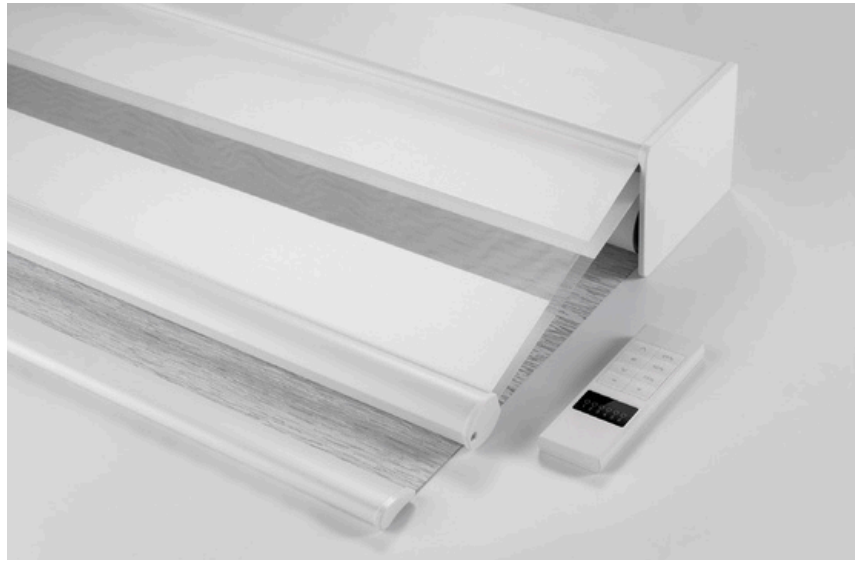
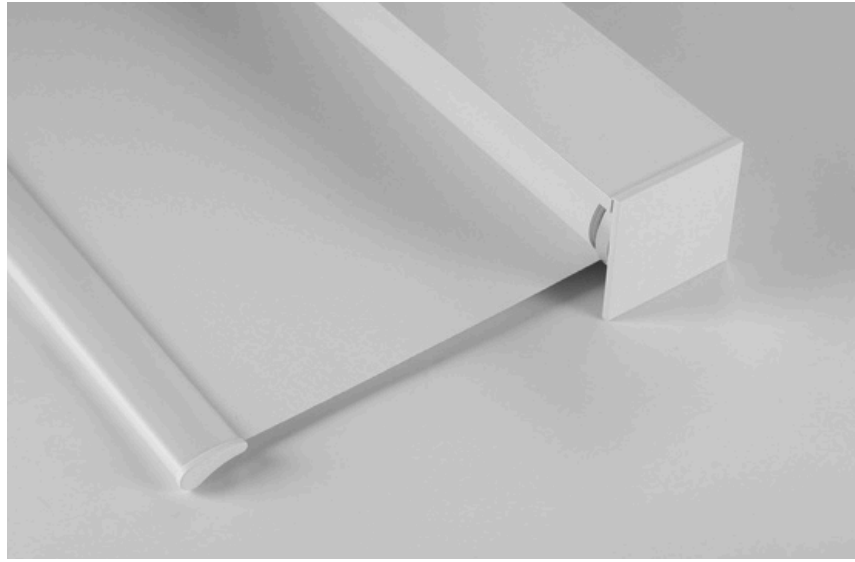


Shangri-la Blinds Customizable Size				
Valance/Cassette/Cover	Customizable size	Bead chain	Motorized	Notes
S1-fabric inserted	Width(cm)	40-230	50-230	
	Height(cm)	50-160	50-160	
	Fabric deduction(cm)	2.6	2.6	
V2- square valance	Width(cm)	40-230	50-230	
	Height(cm)	50-190	50-190	
	Fabric deduction(cm)	2.7	2.7	
Curved	Width(cm)	40-230	50-230	
	Height(cm)	50-250	50-250	
	Fabric deduction(cm)	2.7	2.7	
S2 white / S3 fabric wrapped	Width(cm)	40-230	50-230	
	Height(cm)	50-200	50-200	
	Fabric deduction(cm)	3	3	
White or Fabric wrapped Z3 (day&night)	Width(cm)	40-230	50-230	
	Height(cm)	50-150	50-150	
	Fabric deduction(cm)	2.7	2.7	

*The mini width for AM28 is 65cm

Product Photograph







04

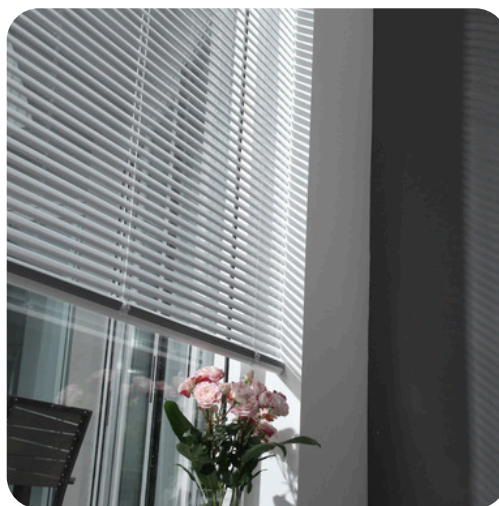
Aluminum Venetian Blinds

Specialist in blinds

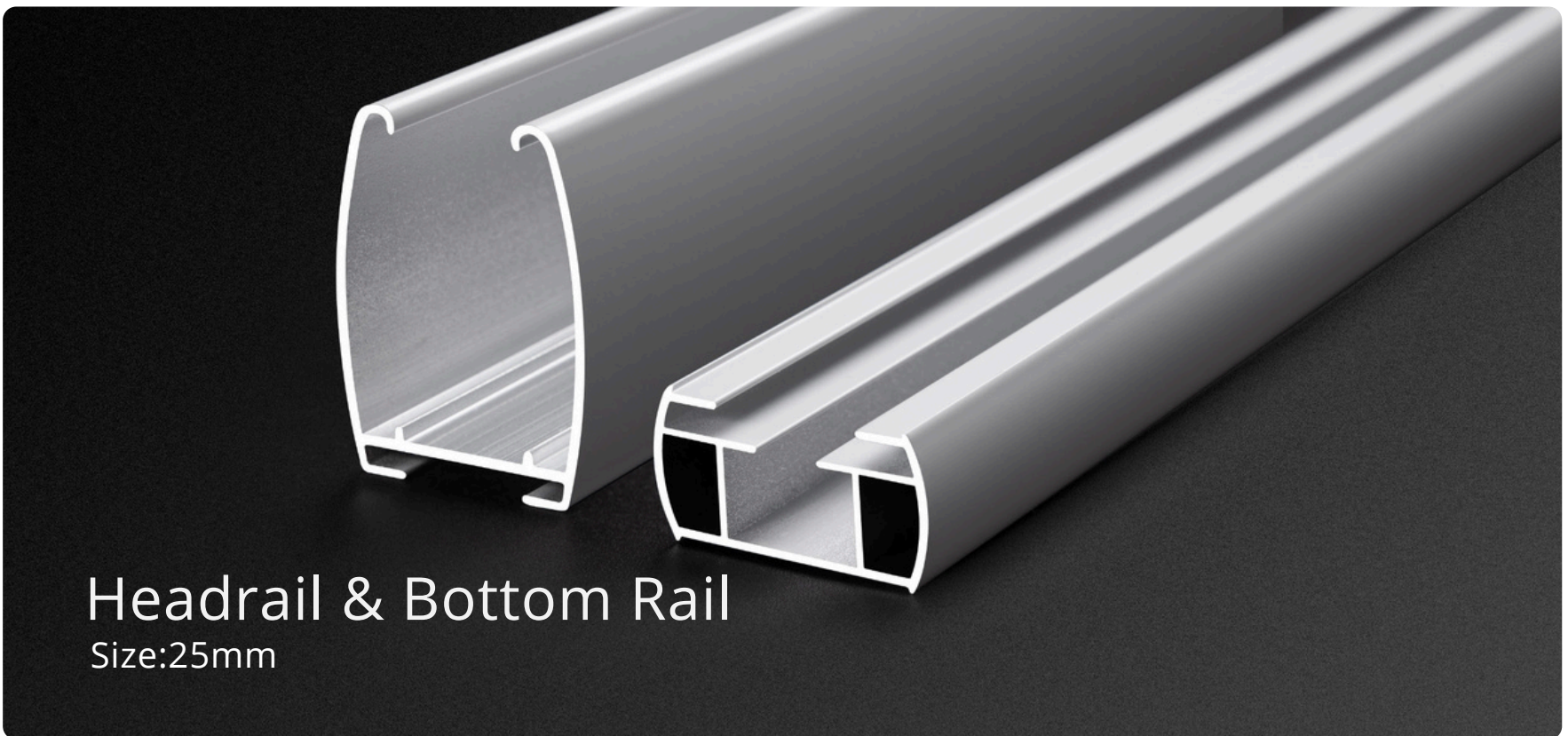
Product Features

High strength elastic, not easy to deformation, not afraid of wind and sun. 180 degrees flip blade adjustment to easily control indoor light. Environmental protection paint, moisture-proof and mildew proof, isolation of oil and water stains. Paint blade multi - color optional.

Shading Effect



Headrail & Bottom Rail



Type B | White



Type B | Beige

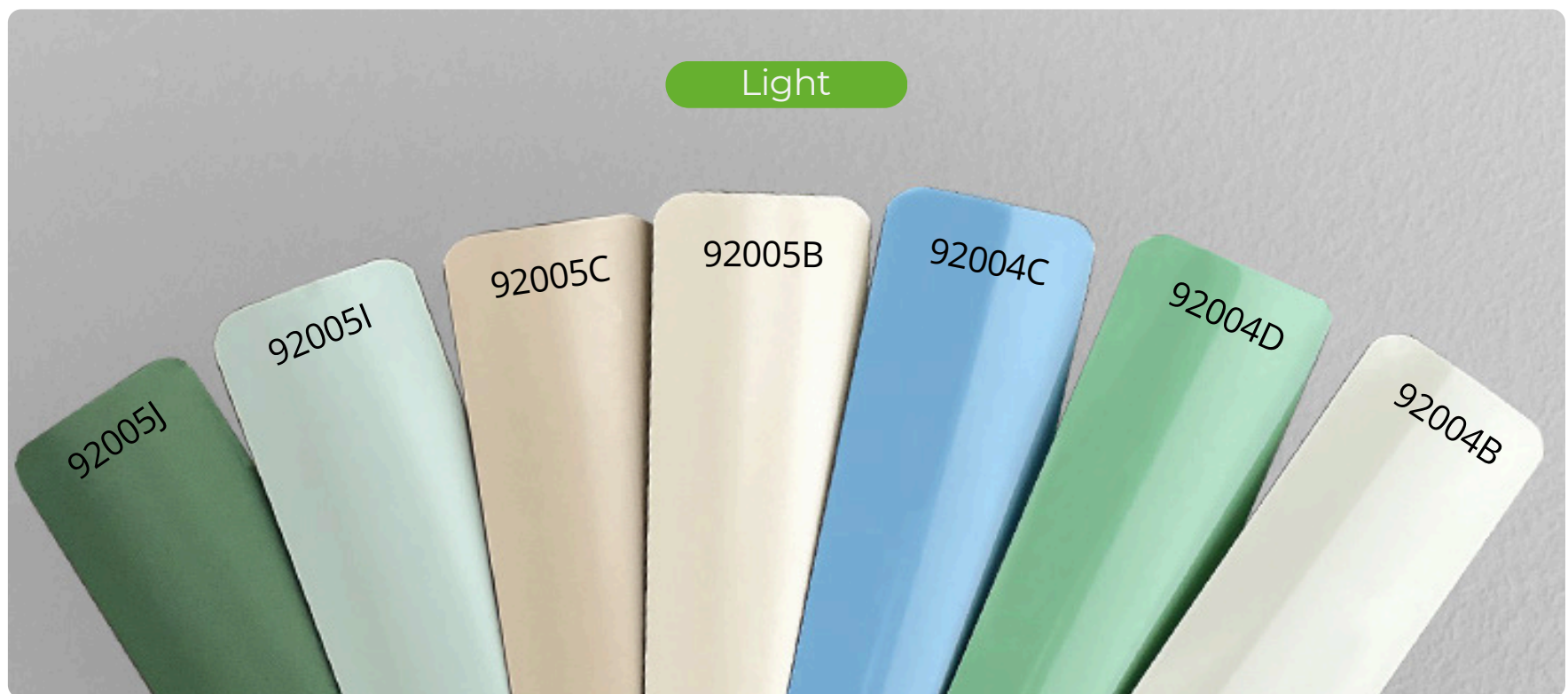
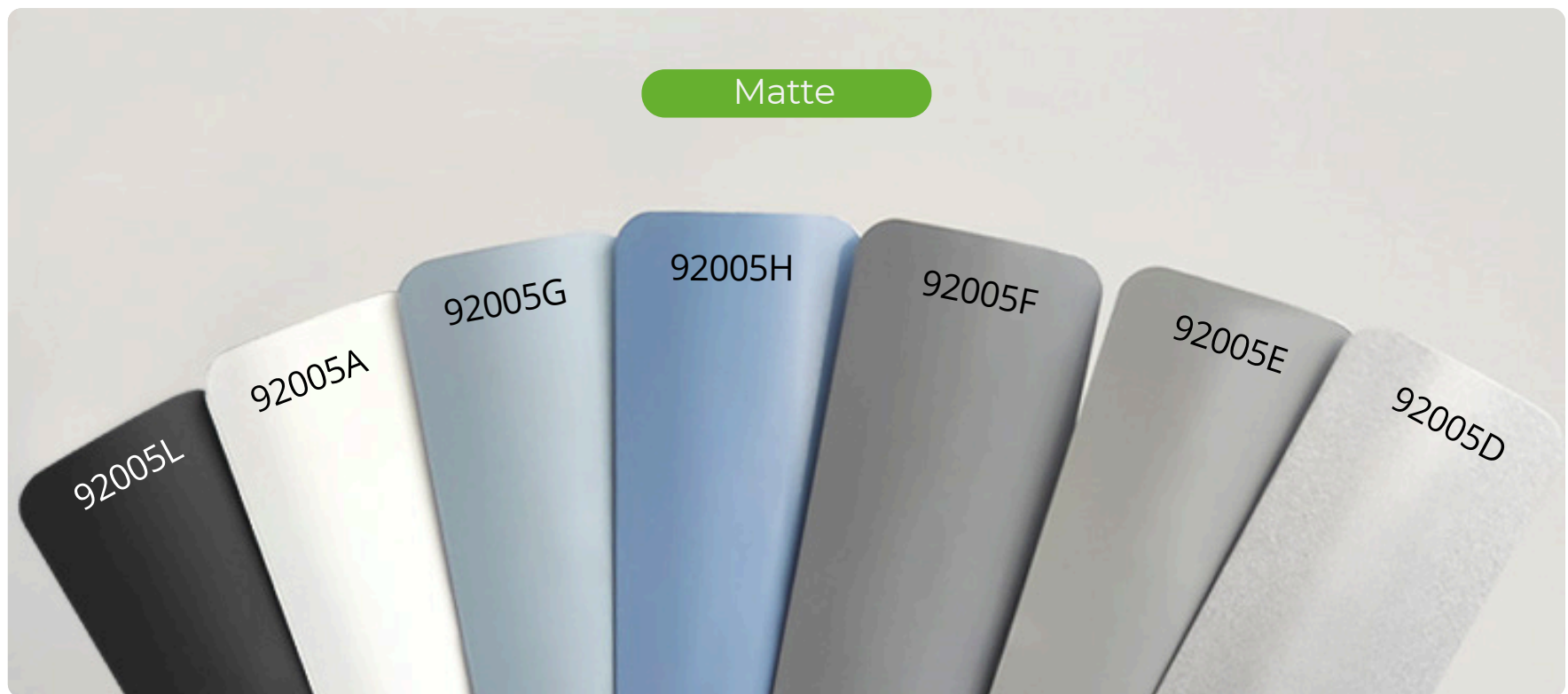


Type B | Gray



Type B | Blue

Color Swatches



Control Systems



Bead Chain (Plastic/Metal)

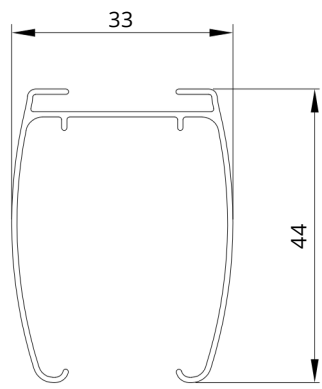


Motorized

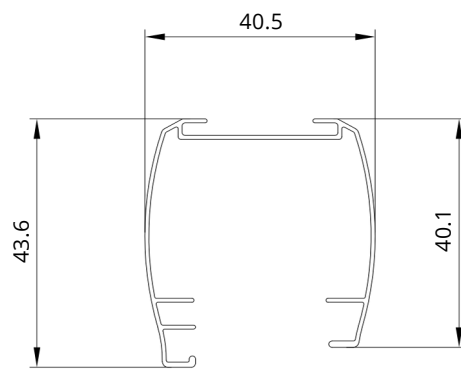


Cordless

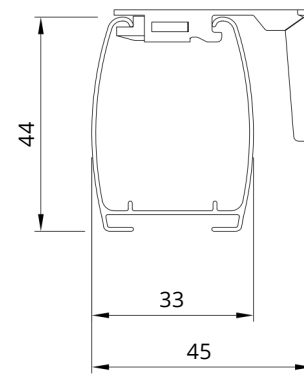
Parameters of Rail



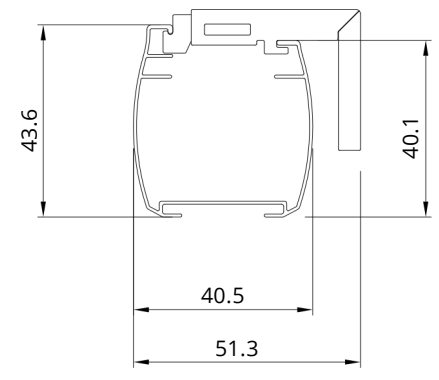
Cordless Headrail
No Drill Blinds



Bead Chain/
Motorized Headrail
No Drill Blinds



Cordless Headrail
Screw Fix



Bead Chain/
Motorized Headrail
Screw Fix

Customizable Size

Venetian Blinds Customizable Size						
Name	Style	Customizable size	Bead chain	Cordless	Motorized	Notes
Venetian Blinds	Screwy	Width(cm)	30-150	33-250	45-260	
		Height(cm)	40-300	50-240	60-260	
		Fabric deduction(cm)	0.2	0.1	0.1	
	Screw Free	Width(cm)	35-150	42-150		
		Height(cm)	40-300	50-240		
		Fabric deduction(cm)	0.2	0.1		



05

Faux Wood Blinds

Specialist in blinds

Product Features

Original first-class wood, ingenuity, environmental sound insulation, reduce air conditioning energy consumption, UV protection. Comfortable quiet, elegant and generous, add a sense of quality to the home space.

Shading Effect



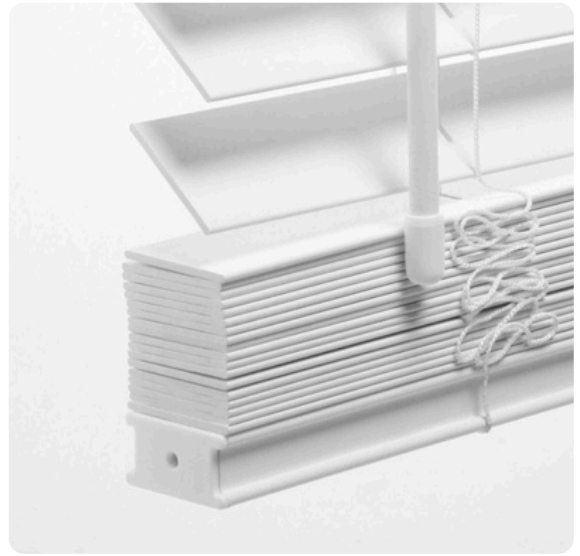
Headrail & Bottom Rail



Headrail

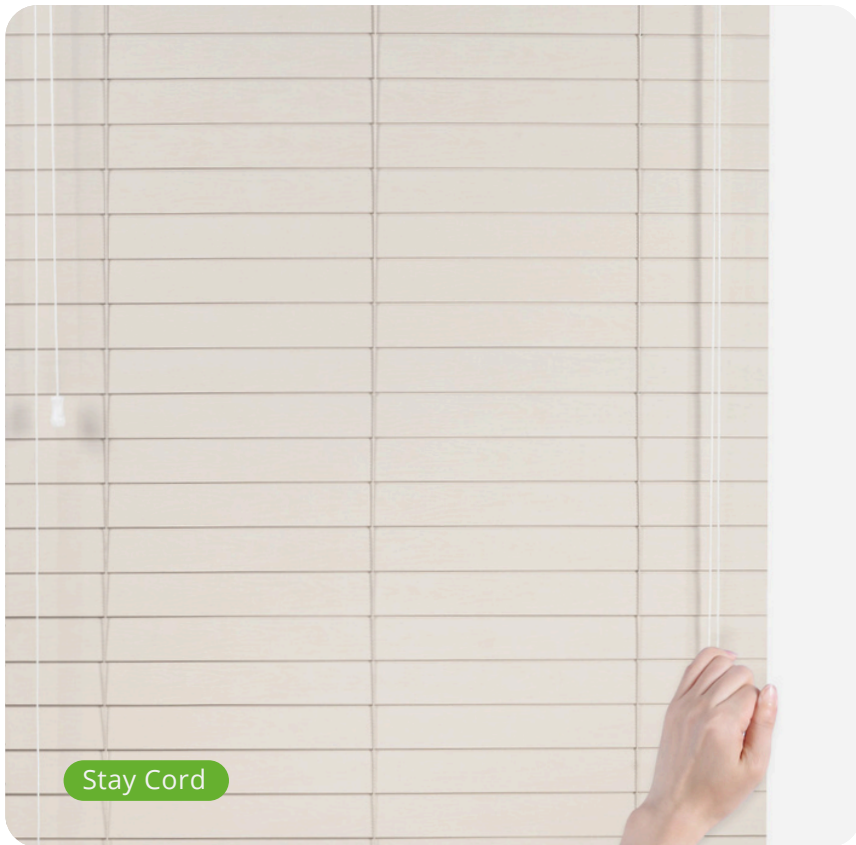


Bottom Rail A
(Stay Cord/Bead Chain/Motorized)

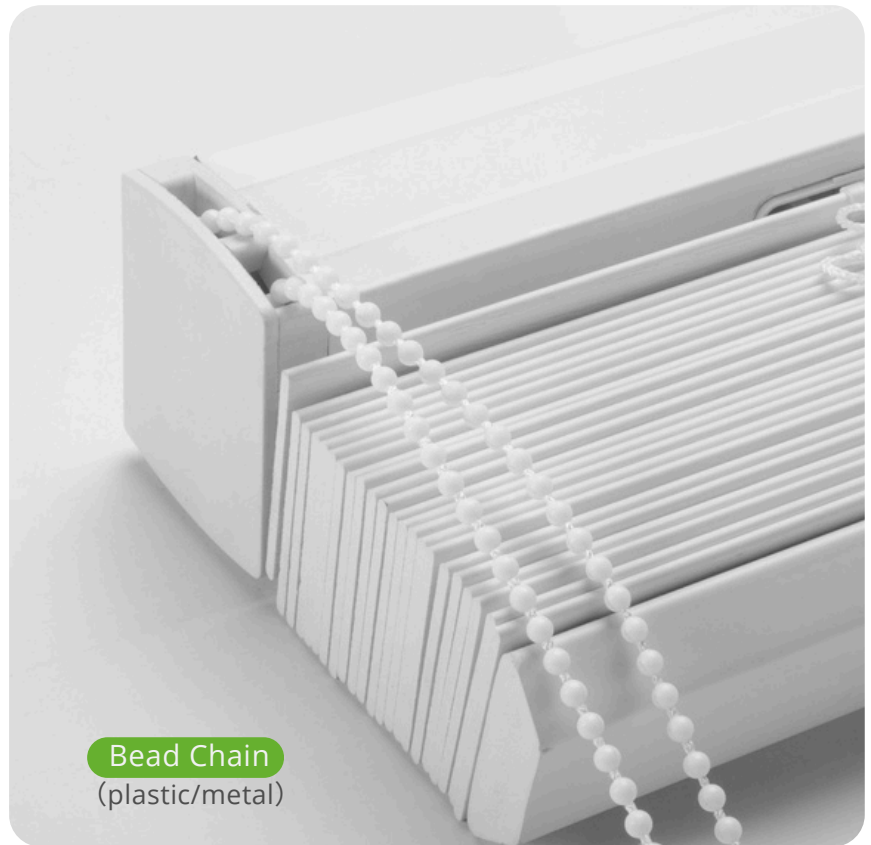


Bottom Rail B
(Cordless)

Control Systems



Stay Cord



Bead Chain
(plastic/metal)

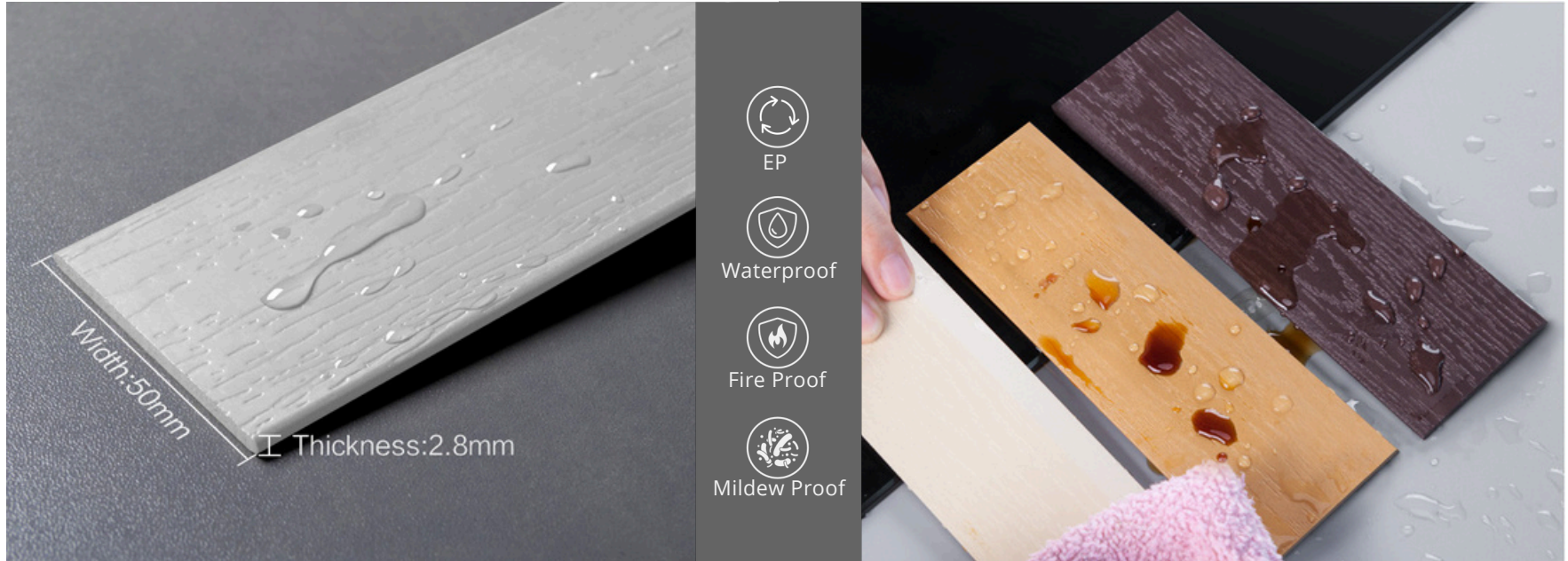


Motorized



Cordless

Color Swatches



More Choices Of Color

width:50mm thickness:2.8mm



F198WHT



F105WT



F105T



F218WT



TA258



F746WT



F921WT



F920WT



TA250



TA253



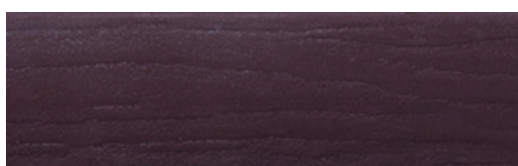
TA261



TA259



TA256



F942WHT



F772WHT



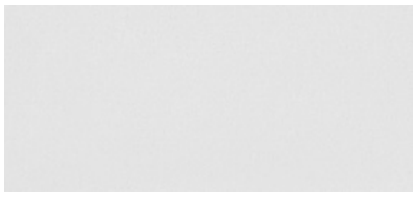
F105WHT



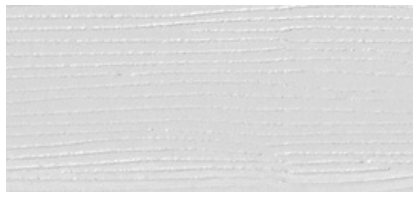
F941WHT



F274WHT



WPS-N001



WPS-N002



WPS-N003



WPS-N004



WPS-N005



WPS-N006



WPS-N007



WPS-N008



WPS-N009



WPS-N010



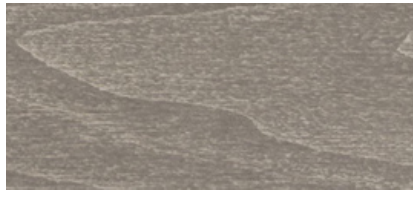
FS-003



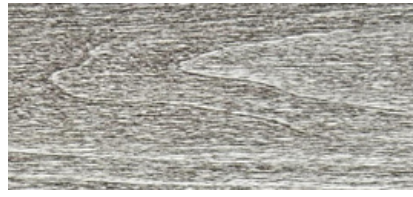
FS-006



FS-009



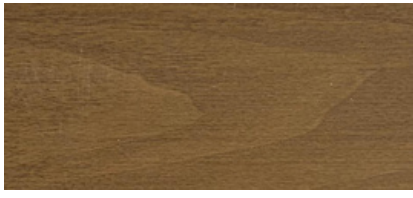
FS-010



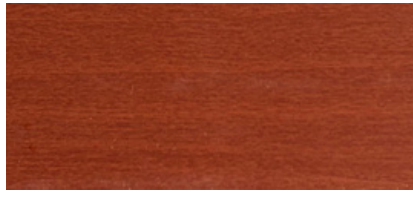
FS-012



FS-014



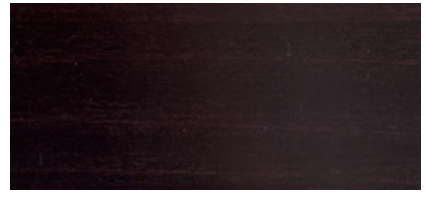
FS-015



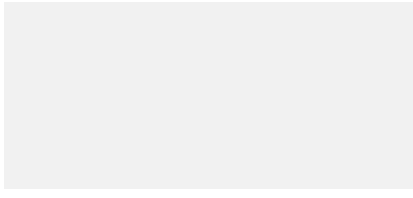
FS-018



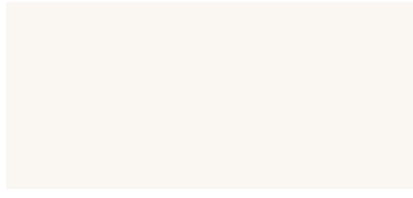
FS-019



FS-020



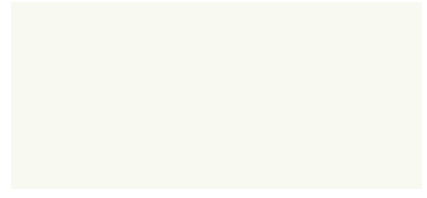
FW-001



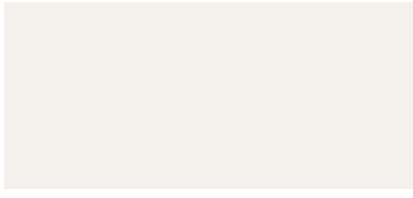
FW-002



FW-003



FW-004



FW-005



FW-006



FW-007



FW-008



FW-009



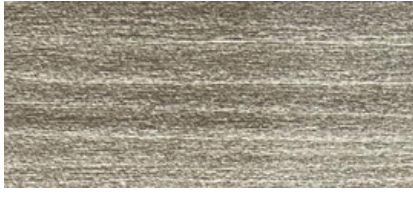
FW-010



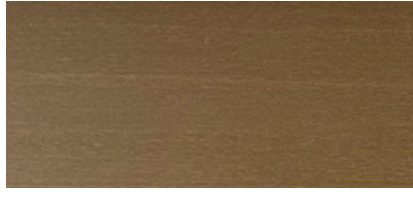
FW-011



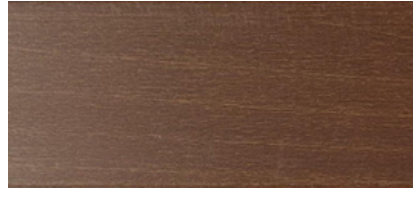
FW-012



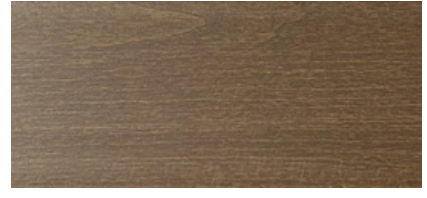
FW-013



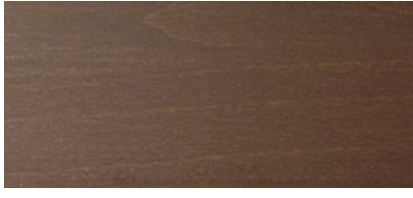
FW-014



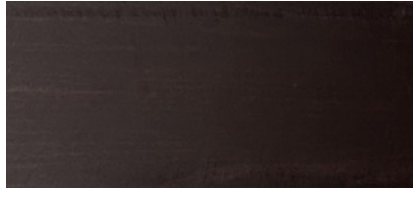
FW-015



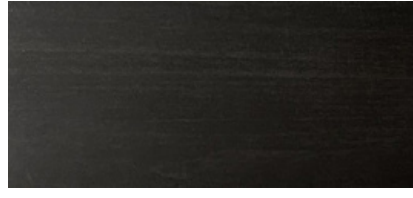
FW-016



FW-017



FW-018



FW-019

Style and Measurement




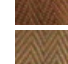

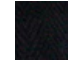



Type A

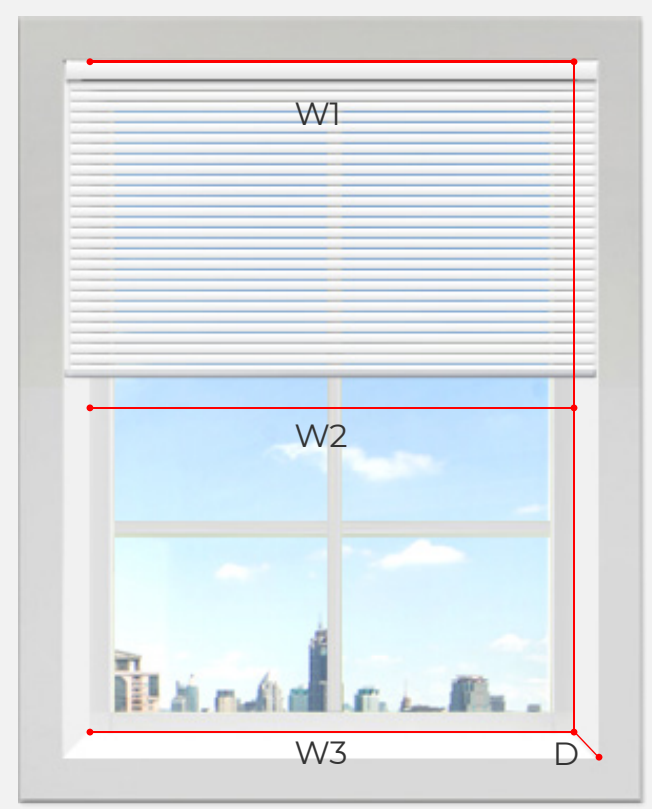


Type B

(not available in cordless control)

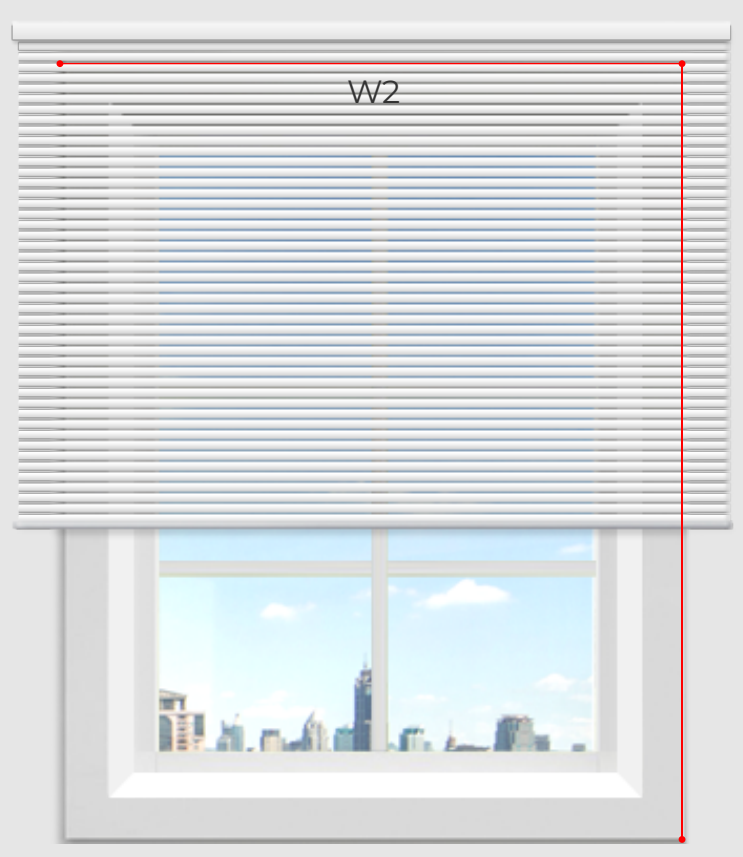
-  BD101
-  BD106
-  BD113
-  BD115
-  BD116
-  BD120
-  BD145

Inside Mount



Measurement requirements :
 The depth(D)of the window hole should be more than 6cm.
 Width: Measue W1,W2,W3, select the shortest one as the Width
 Width of Blind=Width-1cm
 Height of Blind=Height

Outside Mount



Window frames protruding the wall by more than 1cm will not be suitable for the outside mounting
 Width of Blind=Width+10cm
 Height of Blind=Height+15cm

Customizable Size



Faux Wood Blinds Customizable Size					
Name	Style	Minimum width	Maximum width	Maximum height	Maximum area
Faux Wood Blinds	Stay Cord	30	240	300	5m
	Bead Chain	50	200	280	2
	Cordless	50	200	240	4m
		50			
Motorized		200	250	2	

*Size restriction: 30cm ≥ Width ≤ 180cm, 80cm ≥ Height ≤ 280cm, Minimum cost charge for 1 Sqm² for all faux wood blinds under 1 Sqm².

4m

2

4m

2



Honeycomb Blinds

Specialist in blinds

Product Features

Imitating the design of a honeycomb, it has the functions of heat preservation, UV protection, and sound insulation. A variety of categories including horizontal blinds, day and night double blinds, and skylight options are available. It is a great choice for creating a comfortable and private space.

Product Categories



Normal



Top Down Bottom Up



Day and Night



Skylight



Perfect Fit Blinds

Control Systems



Continuous Loop



Cordless



Motorized



Cord Locked

Fabric Shading Effect



26mm/45mm Sheer



26mm Light Filtering



26mm Black Out



38mm Dual Cell Light Filtering



38mm Dual Cell Black Out



45mm Black Out

Available Rail Colors



Size:26mm



26mm No Drill Blinds



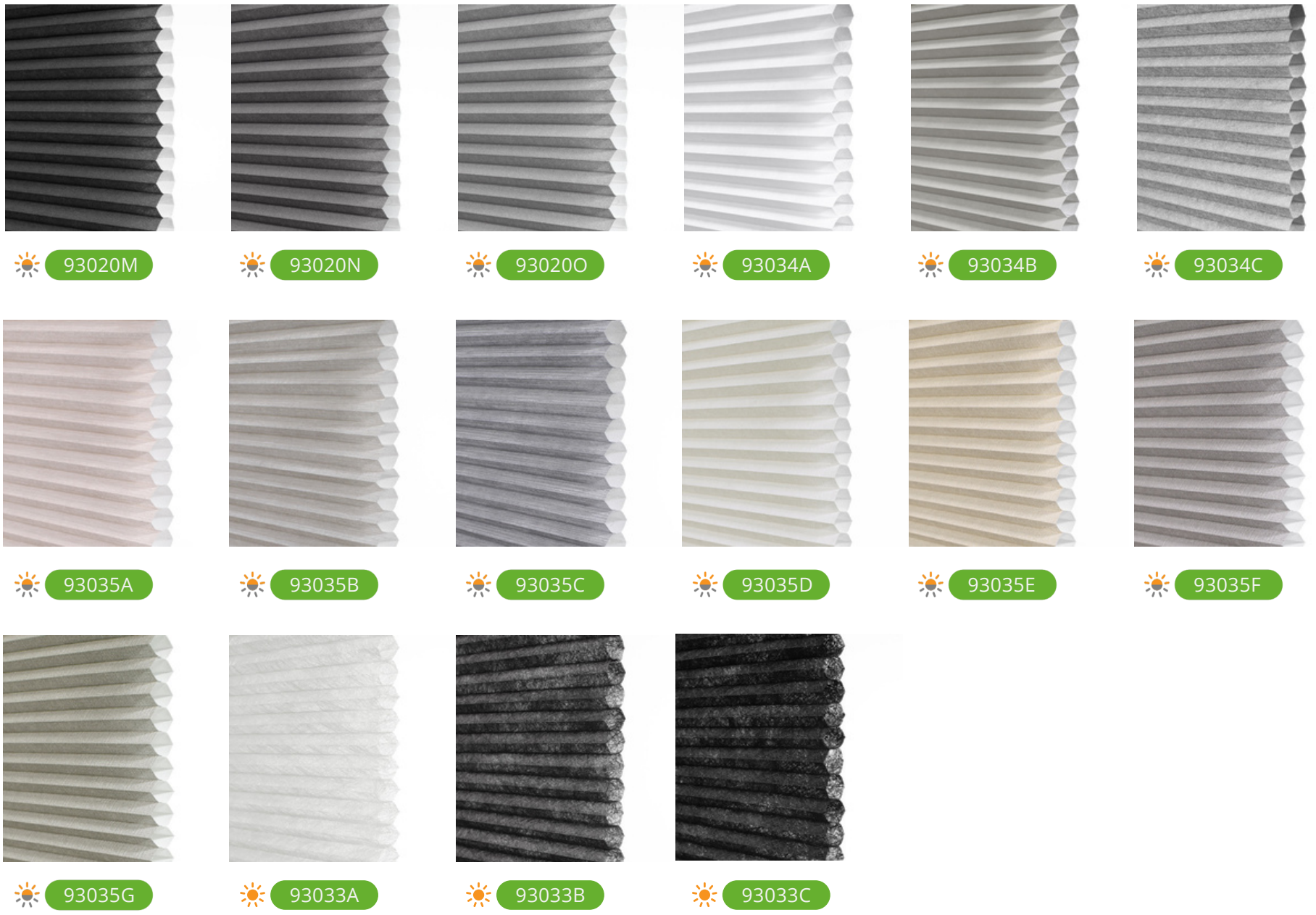
Size:38mm



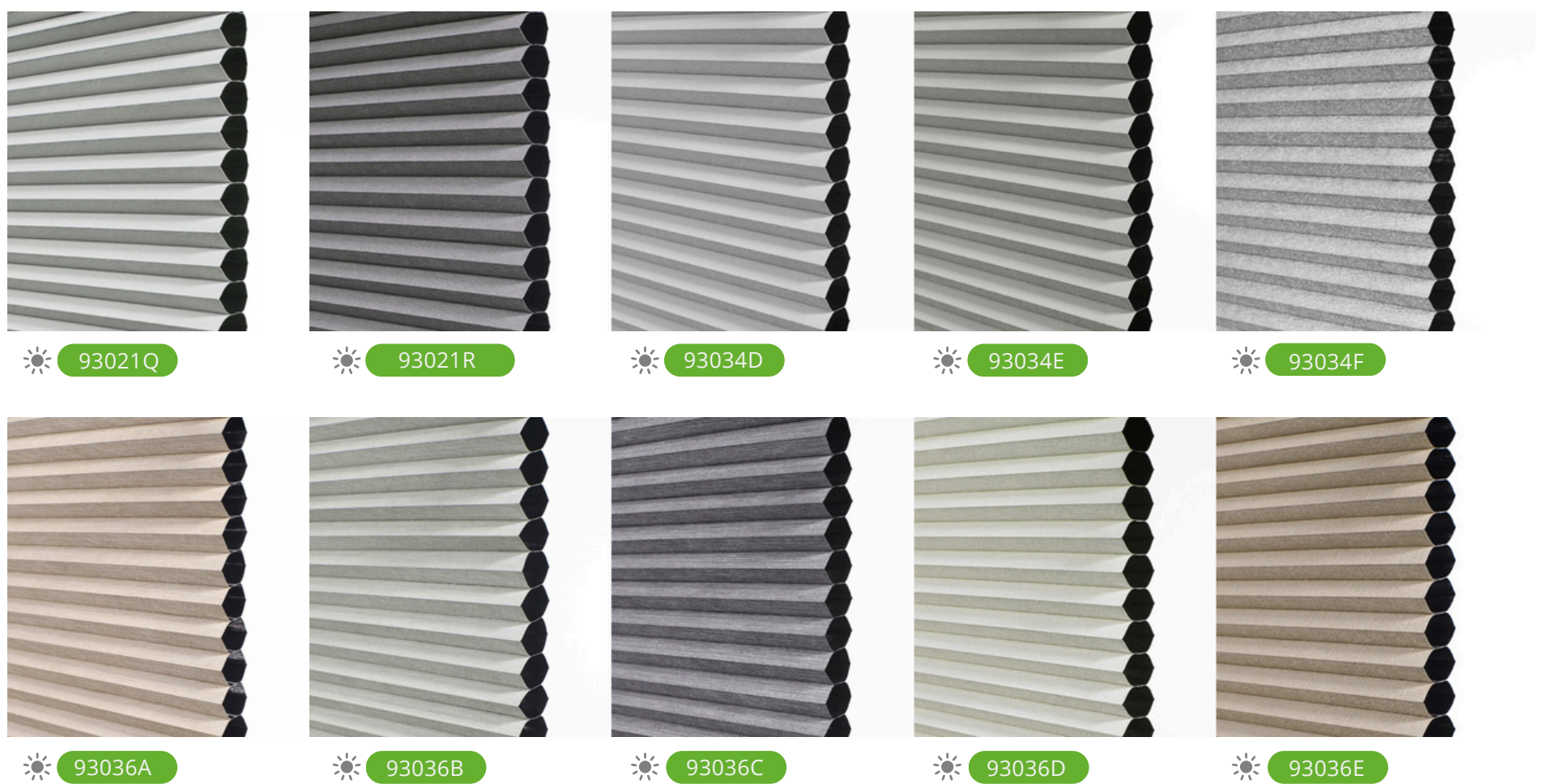
Size:45mm



26mm Light Filtering



26mm Blackout



Color Swatches



26mm Light Filtering



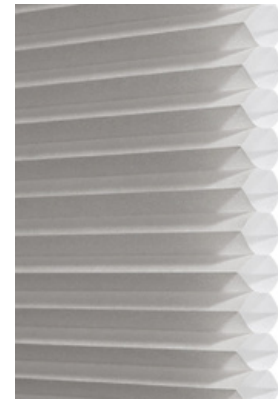
☀️ 93020A



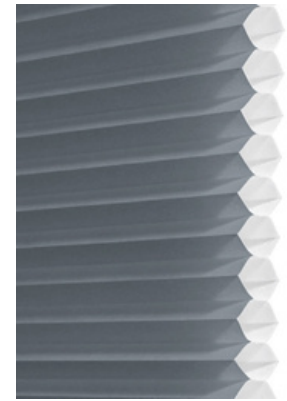
☀️ 93020B



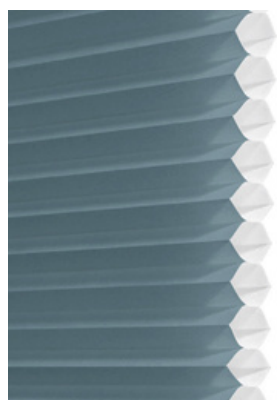
☀️ 93020C



☀️ 93020D



☀️ 93020E



☀️ 93020F



☀️ 93020G



☀️ 93020H

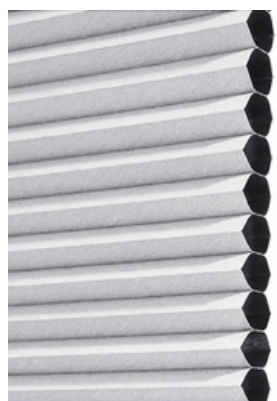


☀️ 93020J



☀️ 93020K

26mm Blackout



☀️ 93021A



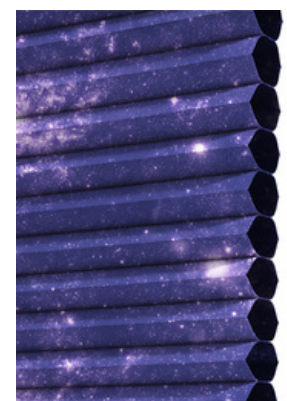
☀️ 93021B



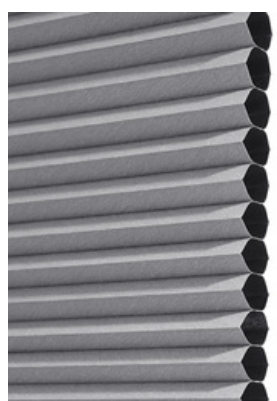
☀️ 93021C



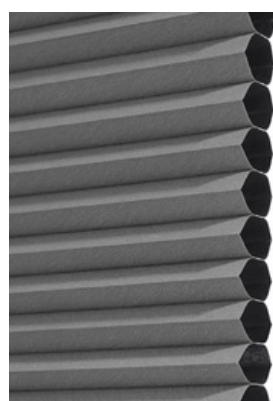
☀️ 93021D



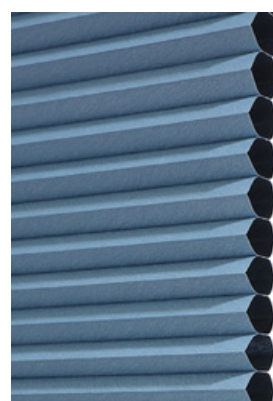
☀️ 93021J



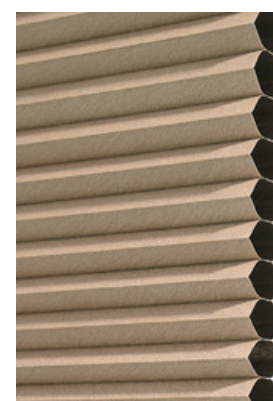
☀️ 93021E



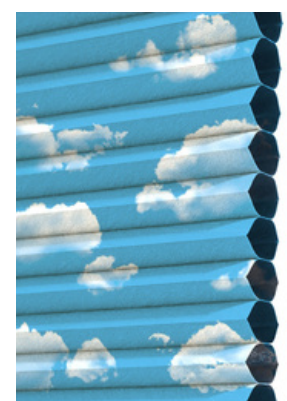
☀️ 93021F



☀️ 93021G



☀️ 93021H



☀️ 93021I



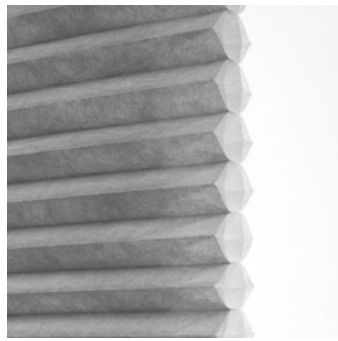
38mm Light Filtering & Blackout



☀️ 93022A



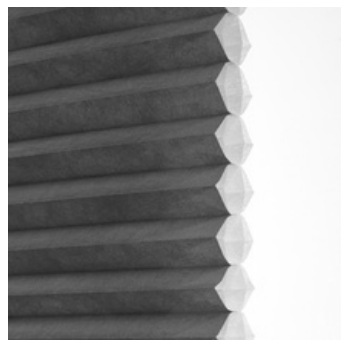
☀️ 93022B



☀️ 93022C



☀️ 93022D



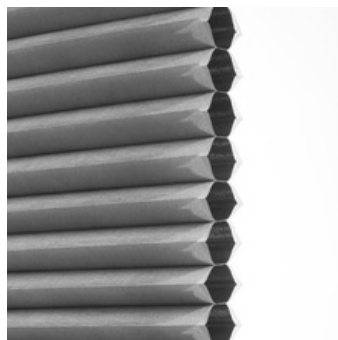
☀️ 93022E



☀️ 93023A



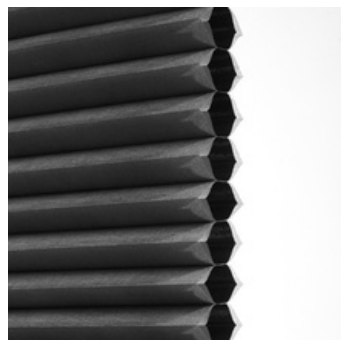
☀️ 93023B



☀️ 93023C



☀️ 93023D

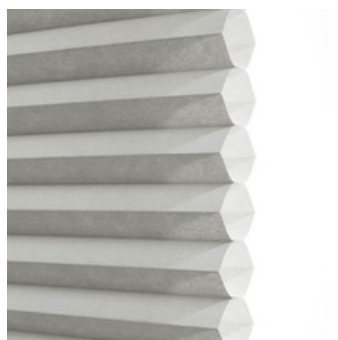


☀️ 93023E

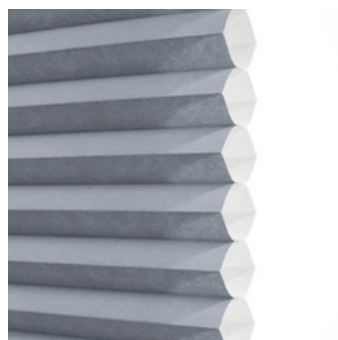
45mm Light Filtering & Blackout



☀️ 93025A



☀️ 93025B



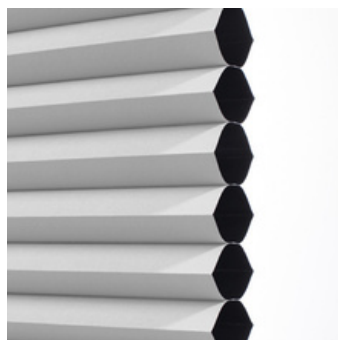
☀️ 93025C



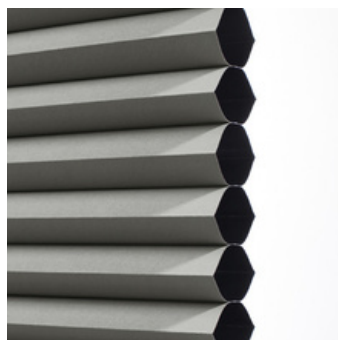
☀️ 93025D



☀️ 93025E



☀️ 93024A



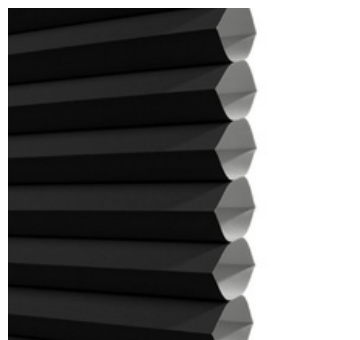
☀️ 93024B



☀️ 93024C



☀️ 93024D

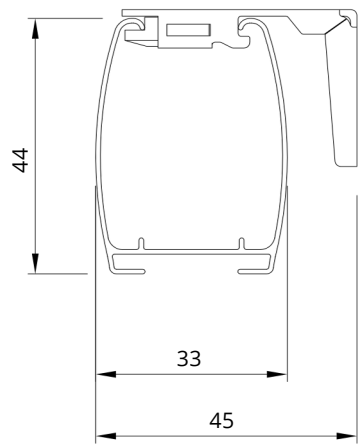


☀️ 93024E

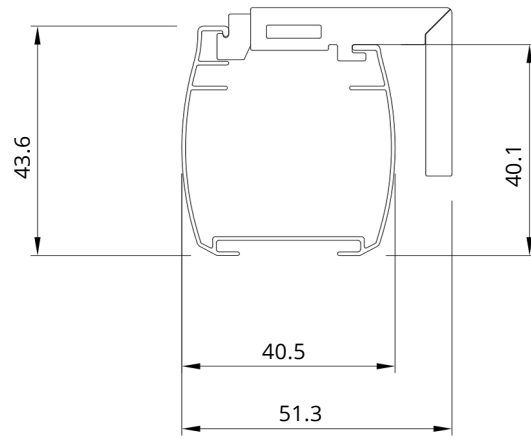
Parameters of Rail



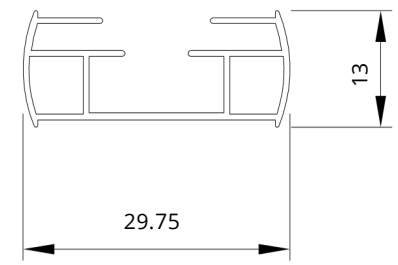
26 mm



Cordless Headrail

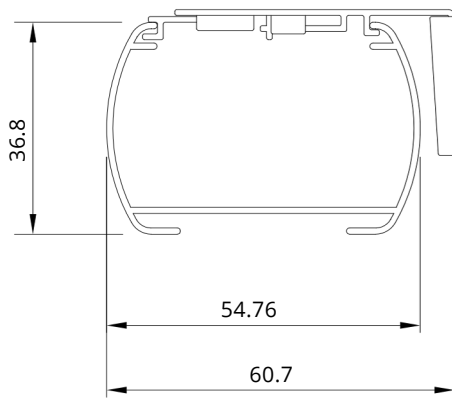


Continuous Loop/Bead Chain/
Motorized Headrail

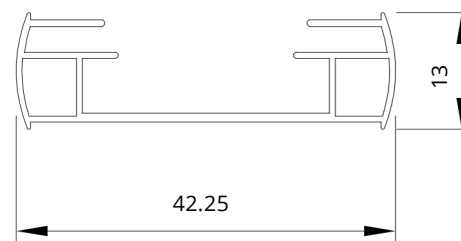


26mm Bottom Rail

38 mm

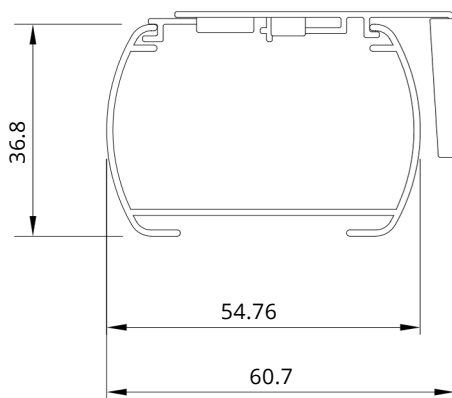


38mm Headrail

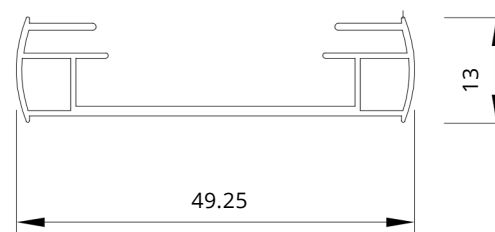


38mm Bottom Rail

45 mm



45mm Headrail

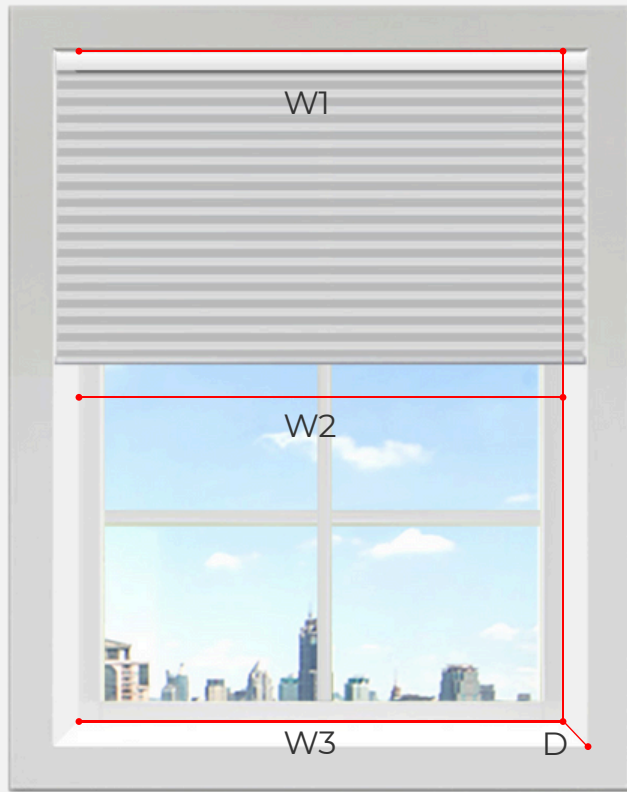


45mm Bottom Rail

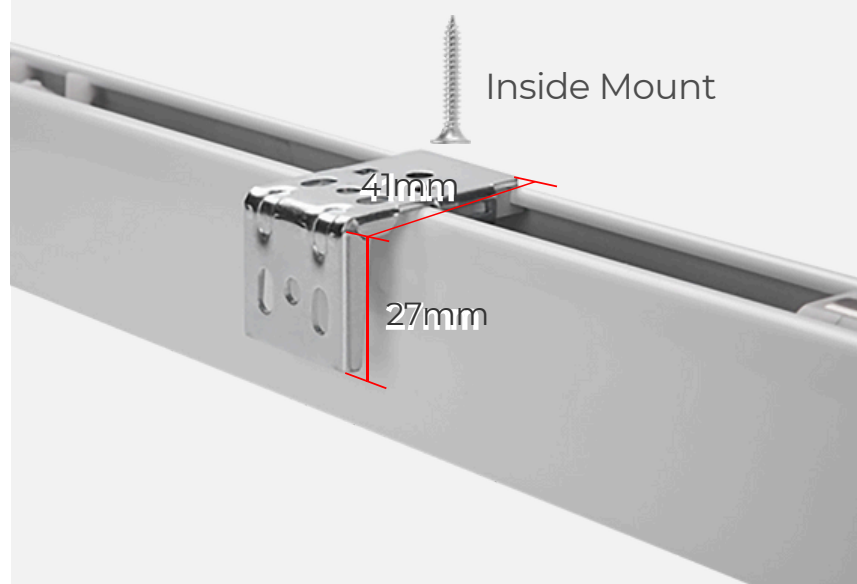
Measurement and Installation



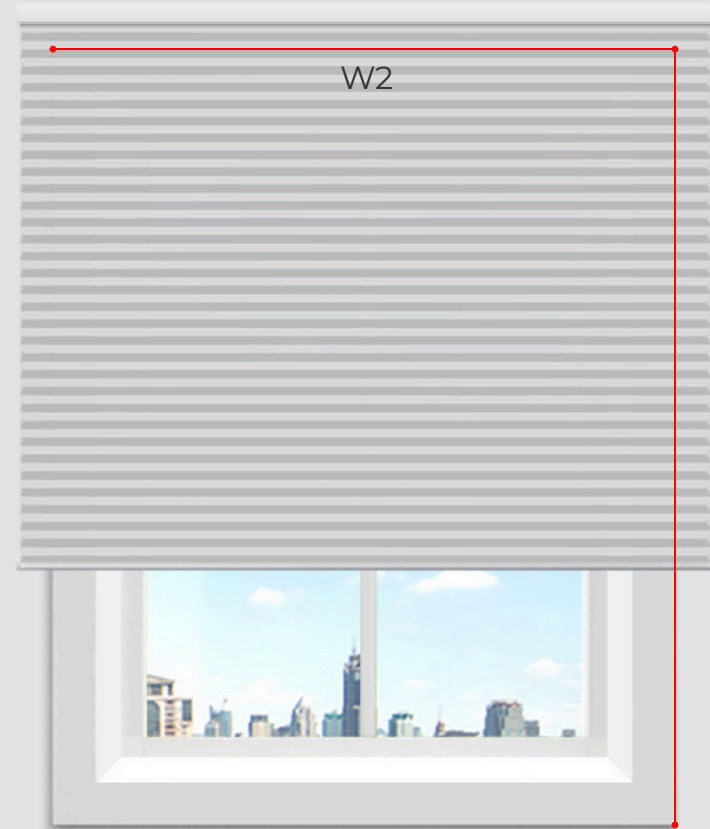
Inside Mount



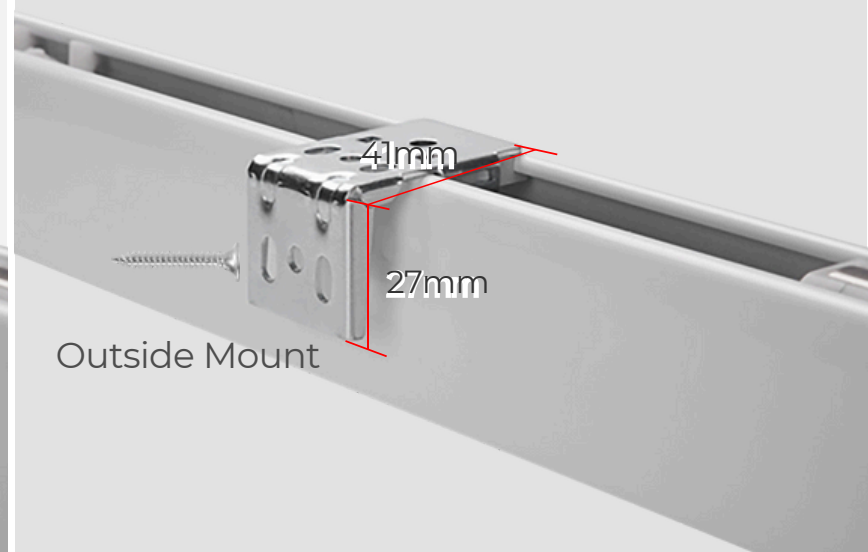
Measurement requirements :
 The depth(D)of the window hole should be more than 6cm.
 Width: Measue W1,W2,W3, select the shortest one as the Width
 Width of Blind=Width-1cm
 Height of Blind=Height



Outside Mount



Window frames protruding the wall by more than 1cm will not be suitable for the outside mounting
 Width of Blind=Width+10cm
 Height of Blind=Height+15cm





26mm Honeycomb Size						
Lift System		Width		Drop		Max.
		Min	Max	Min	Max	Area
Cordless	Regular Cordless	300 mm	2500 mm	500 mm	2400 mm	5.5 m ²
	TDBU Cordless	420 mm	2500 mm	500 mm	2400 mm	5.5 m ²
	Day&Night Cordless	420 mm	2500 mm	500 mm	2400 mm	5.5 m ²
Corded	Bottom Up Corded	200 mm	2300 mm	200 mm	2600 mm	5.5 m ²
	Day&Night Double Corded	350 mm	2300 mm	500 mm	2600 mm	5.5 m ²
	TDBU Double Corded	350 mm	2300 mm	500 mm	2600 mm	5.5 m ²
Continuous Loop	Button Up Cord Loop	360 mm	2500 mm	500 mm	2600 mm	7 m ²
	Day&Night Loop	590 mm	2500 mm	500 mm	2600 mm	7 m ²
	TDBU Loop	590 mm	2500 mm	500 mm	2600 mm	7 m ²
Skylight	Manual	250 mm	1500 mm	200 mm	3500 mm	5 m ²
Motor i zed	Cordless With AC Power	700 mm	2800 mm	300 mm	3500 mm	9 m ²
	Cordless With DC Power	700 mm	2800 mm	300 mm	3500 mm	9 m ²
	Day& Night With AC Power	900 mm	2800 mm	600 mm	2600mm	9 m ²
	Day& Night With DC Power	900 mm	2400 mm	600 mm	2600mm	9 m ²
	TDBU with AC Power	950 mm	2800 mm	300 mm	2600mm	9 m ²
	TDBU with DC Power	950 mm	2800 mm	300 mm	2600mm	9 m ²
	Skylight with With AC Power (G1)	350 mm	2500 mm	300 mm	4500 mm	8 m ²
	Skylight Battery With DC Power (G1)	420 mm	2500 mm	300 mm	4500 mm	8 m ²
Remark:						
1. If for Continuous loop of TDBU or Day & Night ,if width more than 2 meter,the drop need to more than half of Width						

45mm Honeycomb Size

Lift System		Width		Drop		Max.
		Min	Max	Min	Max	Area
Cordless	Regular Cordless	320 mm	2500 mm	300mm	2400 mm	5.5 m ²
	TDBU Cordless	320 mm	2500 mm	300mm	2400 mm	5.5 m ²
	Day&Night Cordless	320 mm	2500 mm	300mm	2400 mm	5.5 m ²
Corded	Bottom Up Corded	200 mm	2000 mm	300mm	2600 mm	5 m ²
	Day&Night Double Corded	300 mm	2000 mm	300mm	2600 mm	5 m ²
	TDBU Double Corded	300 mm	2000 mm	300mm	2600 mm	5 m ²
Continuous Loop	Button Up Cord Loop	280 mm	2000 mm	300mm	2600 mm	5 m ²
	Day&Night Loop	350 mm	2000 mm	300mm	2600 mm	5 m ²
	TDBU Loop	350 mm	2000 mm	300mm	2600 mm	5 m ²
Motor i zed	Cordless With AC Power	500 mm	2500 mm	400 mm	3500 mm	9 m ²
	Cordless With DC Power	500 mm	2500 mm	400 mm	3500 mm	9 m ²
	Day& Night With AC Power	700 mm	2500 mm	400 mm	2600mm	9 m ²
	Day& Night With DC Power	700 mm	2400 mm	600 mm	2600mm	9 m ²
	TDBU with AC Power	700 mm	2500 mm	400 mm	2600mm	9 m ²
	TDBU with DC Power	700 mm	2500 mm	400 mm	2600mm	9 m ²
Remark:						
1. If for Continuous loop of TDBU or Day & Night ,if width more than 2 meter,the drop need to more than half of Width						