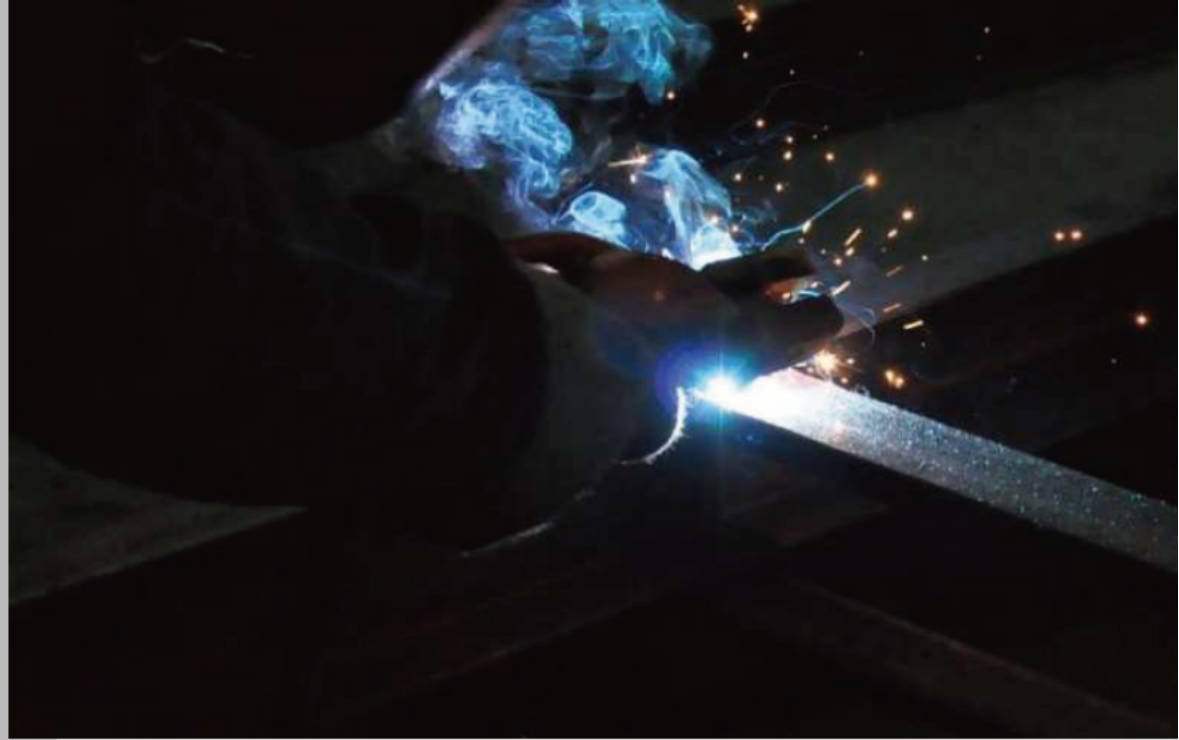


RSF INTERNATIONAL TRADING INNOVATION & BUILDER SOLUTION



Content

Perfomance Grilling Technology.....	01
Six Burners Series	03
Three & Four Burners Series	09
Built-in Series	11
Heavy Duty Series	17
Island Series	25
Outdoor Kitchen Series	29
Outdoor Kitchen Show Case	35
Steak & Pizza Maker Series	51





Our engineers have a high academic qualifications and research experience. We obtain several technology patent regarding with gas appliances. We can manufacture the mold independently, this will help us develop the newproducts quickly and getting more advantages. With strict quality testing procedure, we can guarantee the safety of our products.

N&L

FURNITURE

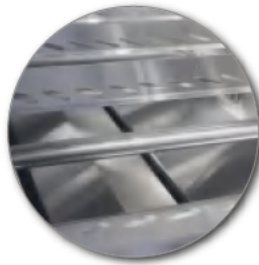
Every N&L gas grill is built to provide unparalleled cooking performance delivering great barbecue flavor. You can sear steaks to perfection, rotisserie cook poultry and roasts. Every part of the cooking system is designed and engineered for giving you the ability to cook almost anything on your grill in any style. We devote to combine the comfort of an indoor kitchen range with all the benefits of being outside. N&L help create the ultimate backyard getaway.





Amazing Heat Retention

Made from high-grade stainless steel, these durable double-walled lid provide excellent heat retention and long lasting durability. Visible window and thermometer ensure even heat and heat retention for precise control.



Unmatched Performance

High quality and durable stainless steel burners and rear infrared burner are designed for heavy-duty "workhorse" grills. These cooking system provides superior heat distribution across the entire surface of the grill.



Perfect Temperature

Valve with 180 degree control knob give you infinite heat control, allowing you to set your grill to the perfect temperature for searing, roasting or slow cooking.



Stylish Illumination

Proper lighting creates drama, style and function. LED front panel lighting fetches eye-catching flair, while interior halogen lighting provides needed illumination for grilling regardless of the time of day.

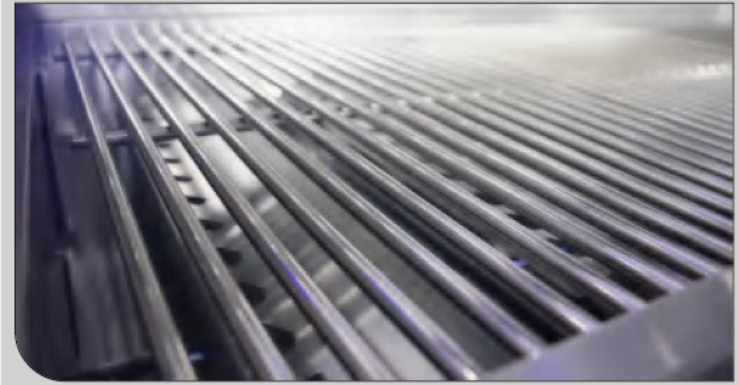


Performance.

The Six Burners Series

The N&L Six burner series is perfect for large banquet events. These premium, heavy-duty grills are designed for performance, durability and exceptional results. Complete with interior lights, LED knobs, rear infrared burner, six #304 stainless steel burners, rotisserie set and flame thrower valves, you'll have the confidence these grilling machines are ready to sear the perfect steak.

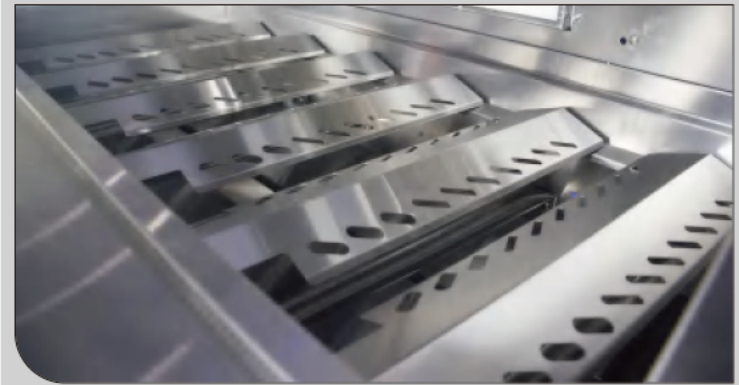
#304 STAINLESS STEEL GRIDS



#304 STAINLESS STEEL BURNERS



STAINLESS STEEL FLAME TAMER



HEAT CONTROL COOK BOX



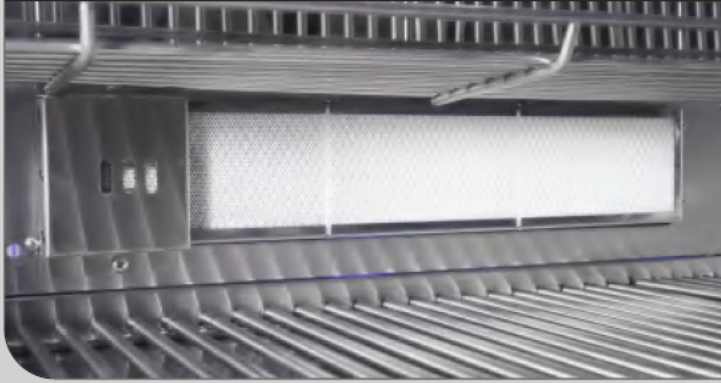
THERMOMETER



BEER OPENER



INFRARED REAR BURNERS



TEMPERED GLASS



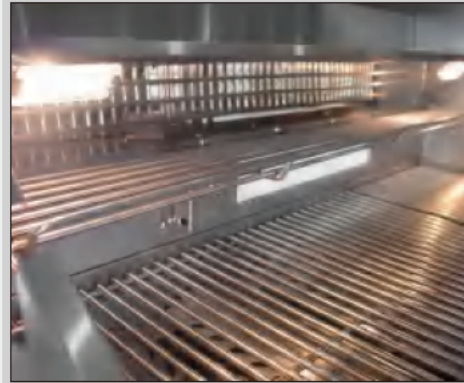
DOUBLE-WALLED LID



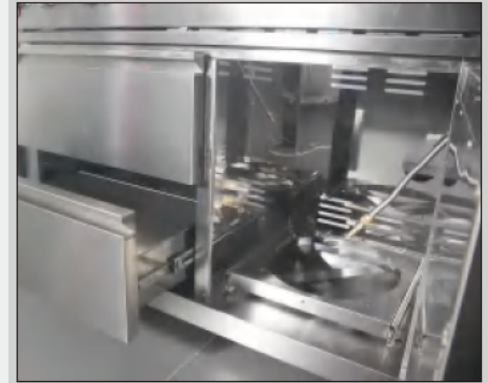
KNOBS LED LIGHTS



BUILT-IN LIGHTS



DRAWERS AND ACCESS DOOR



SIX BURNERS SERIES FEATURES

COOKING GRIDS	8mm 304 stainless steel grids
HEAT CONTROL	Valves with 180° control
THERMOMETER	Thermometer available
WINDOW	tempered glass
IGNITION	Piezo ignition
SIDE SHELVES	Stainless steel side shelves
FAT TRAY	Stainless steel handles
CASTER	4 caster wheels,2 with locking
BUILT-IN LIGHTS	Built-in halogen light and LED knob light
CONSTRUCTION	430 stainless steel
MAIN BURNER	Stainless steel burner available
REAR BURNER	Infrared burner available
ROTISSERIE	Rotisserie kits available
CABINET	Drawer and access door



NL-B801 FEATURES

COOKING AREA	960*455mm
PRODUCT SIZE	1100*580*1200mm
PACKAGE SIZE	1190*690*1300mm
GROSS WEIGHT	128kg
PROFORMANCE	91100BTU/26.7kW
BURNERS	3.7kW main burners,4.5kW rear burner
MOTOR OUTPUT	13W(220 240V,AC50/60Hz), Max Load: 40 kg
LOADING QUANTITY	13pcs/20GP 28pcs/40GP 56pcs/40HQ

SIDE SHELVES UP



SIDE SHELVES FOLD DOWN



READY TO COMBINE

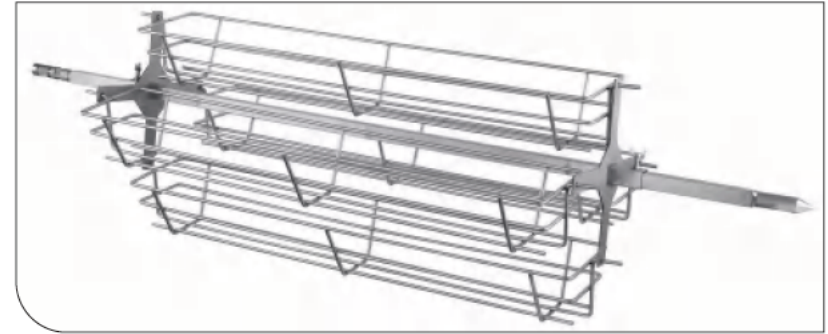


KITCHEN COMBINATION





STAINLESS STEEL ROTATABLE BASKET



ELECTRIC MOTOR ROTISSERIE KIT



NL-B5 FEATURES

COOKING AREA	1300*600mm
PRODUCT SIZE	2135*755*1150mm
PACKAGE SIZE	1560*830*1300mm
GROSS WEIGHT	152kg
PROFORMANCE	91100BTU/26.7kW
BURNERS	3.7kW main burners, 4.5kW rear burner
MOTOR OUTPUT	13W(220 240V, AC50/60Hz), Max Load: 40 kg
LOADING QUANTITY	7pcs/20GP 15pcs/40GP 30pcs/40HQ

HIGH PERFORMANCE AND HEAVY-DUTY GRILL





NL-B8 FEATURES

COOKING AREA	960*455mm
PRODUCT SIZE	1468*600*1240mm
PACKAGE SIZE	1560*690*1300mm
GROSS WEIGHT	130kg
PROFORMANCE	103000BTU/30.2kW
BURNERS	3.7kW main burners, 4.5kW rear burner, 3.5kW side burner
MOTOR OUTPUT	13W(220 240V, AC50/60Hz), Max Load: 40 kg
LOADING QUANTITY	11pcs/20GP 24pcs/40GP 48pcs/40HQ

3.5kW SIDE BURNER



Compact.

Three & Four burners Series

The N & L has barbecues to fit any budget without sacrificing our exceptional quality. It's what sets the Three & Four burners series apart from its rivals. This modern-looking grill features a stainless steel cook box for great heat retention, powerful side ported dual-flame tube burners for even heat distribution, and valves for precise cooking control.



NL-B310 FEATURES

COOKING AREA	605*420mm
PRODUCT SIZE	1176*560*1120mm
PACKAGE SIZE	620*640*570mm
GROSS WEIGHT	115kg
PERFORMANCE	50000BTU/14.6kW
BURNERS	3.7kW main burners, 3.5kW side burner
MOTOR OUTPUT	13W(220 240V, AC50/60Hz), Max Load: 40 kg
LOADING QUANTITY	107pcs/20GP 215pcs/40GP 215pcs/40HQ





NL-B4S FEATURES

COOKING AREA	660*460mm
PRODUCT SIZE	1170*580*900mm
PACKAGE SIZE	1230*690*1350mm
GROSS WEIGHT	115kg
PERFORMANCE	78000BTU/22.8kW
BURNERS	3.7kW main burners, 4.5kW rear, 3.5kW side
MOTOR OUTPUT	13W(220 240V,AC50/60Hz), Max Load: 40 kg
LOADING QUANTITY	13pcs/20GP 28pcs/40GP 28pcs/40HQ





Builder.

The Built-in Series

The N&L Built-in Grill has been specially designed to accommodate all types of multi-family and commercial applications. Whether it is an apartment community, hotel, or country club, these environments get a great deal of extra use. This grill is the perfect option for any commercial application.



NL-B4-R BUILT-IN FEATURES

COOKING AREA	723*460mm
PRODUCT SIZE	870*627*533mm
PACKAGE SIZE	860*650*590mm
GROSS WEIGHT	68kg
PERFORMANCE	66000BTU/19.3kW
BURNERS	3.7kW main burners, 4.5kW rear burner
MOTOR OUTPUT	13W(220 240V, AC50/60Hz), Max Load: 40 kg
LOADING QUANTITY	81pcs/20GP 162pcs/40GP 216pcs/40HQ





NL-B4 BUILT-IN FEATURES

COOKING AREA	723*460mm
PRODUCT SIZE	870*627*533mm
PACKAGE SIZE	860*650*590mm
GROSS WEIGHT	68kg
PERFORMANCE	66000BTU/19.3kW
BURNERS	3.7kW main burners,4.5kW rear burner
MOTOR OUTPUT	13W(220 240V,AC50/60Hz), Max Load: 40 kg
LOADING QUANTITY	81pcs/20GP 162pcs/40GP 216pcs/40HQ

MULTIFUNCTION GRILL



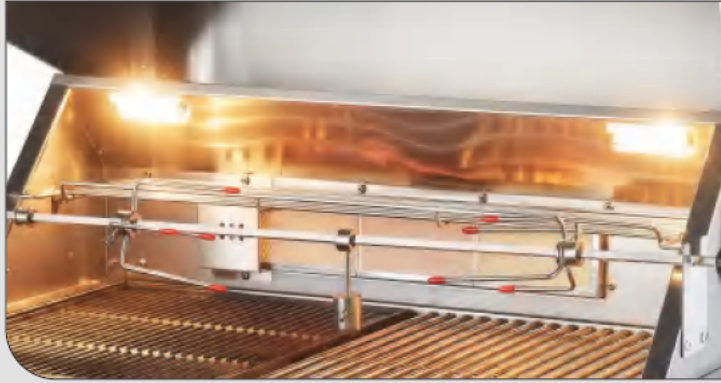
CONTROL PANEL LIGHTS



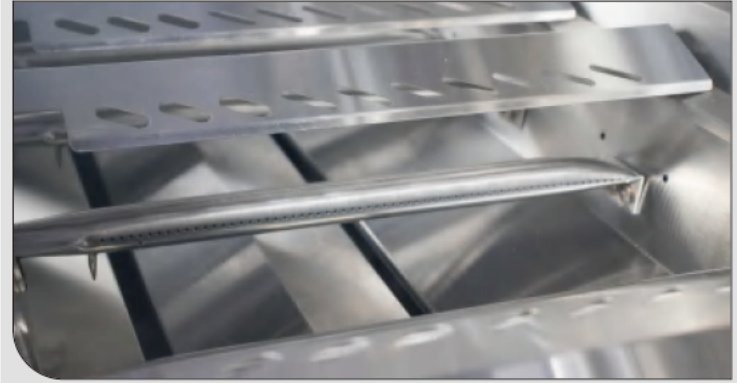
THERMOMETER AND DOUBLE-WALLED LID



COOK BOX BUILT-IN LIGHTS



#304 STAINLESS STEEL BURNERS



ROTISSERIE KIT



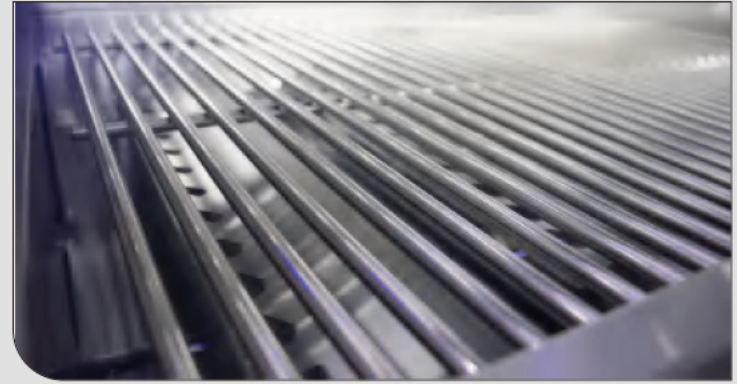
INFRARED REAR BURNERS



PIEZO IGNITOR AND BEER OPENER



#304 STAINLESS STEEL GRIDS



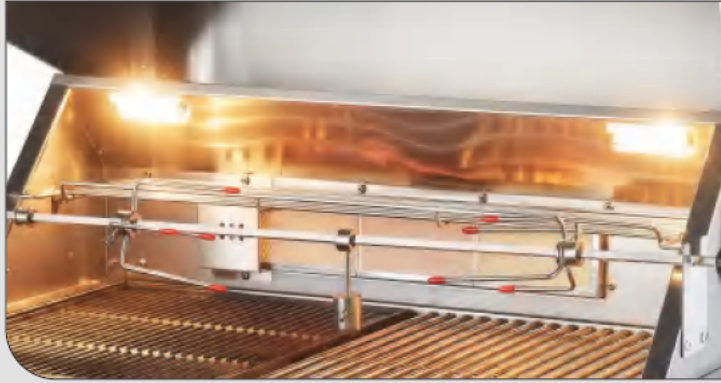


NL-B4-G BUILT-IN FEATURES

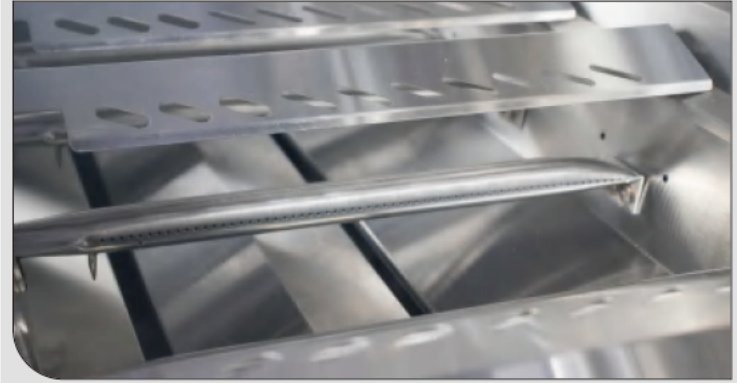
COOKING AREA	723*460mm
PRODUCT SIZE	870*627*533mm
PACKAGE SIZE	860*650*590mm
GROSS WEIGHT	68kg
PERFORMANCE	66000BTU/19.3kW
BURNERS	3.7kW main burners, 4.5kW rear burner
MOTOR OUTPUT	13W(220 240V, AC50/60Hz), Max Load: 40 kg
LOADING QUANTITY	81pcs/20GP 162pcs/40GP 216pcs/40HQ



COOK BOX BUILT-IN LIGHTS



#304 STAINLESS STEEL BURNERS



TEMPERED GLASS



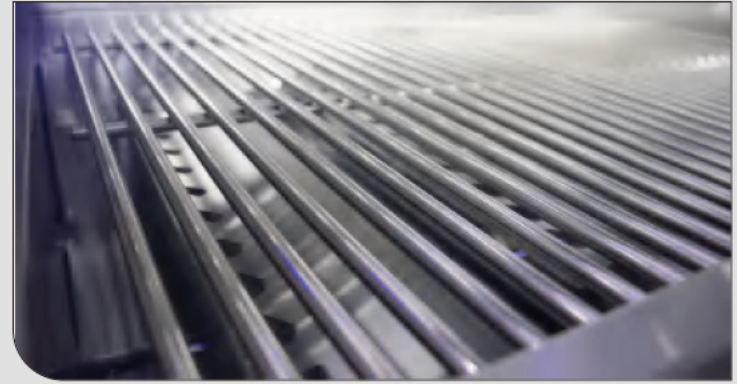
INFRARED REAR BURNERS



PIEZO IGNITOR AND BEER OPENER



#304 STAINLESS STEEL GRIDS





Feast.

The Heavy Duty Series

In the canon of cooking whole animals, few ways are more fun, more drool-inducing, more catchy to the eye than spit roasting. Roast whole lamb is a classic specialty of many cuisines. Whether its Superbowl Sunday or a lazy afternoon in the backyard, roasting a whole lamb on an outdoor grill is fun and relaxing. Use The N & L Heavy Duty Grills create this type of feast in your own backyard, and share a meal of flesh for your friends and family.



STAINLESS STEEL ROTATABLE BASKET



NL-B7 FEATURES

COOKING AREA	1460*650mm
PRODUCT SIZE	1950*800*1170mm
PACKAGE SIZE	1520*670*260mm; 1530*740*250mm
GROSS WEIGHT	95kg
CHARCOAL TRAY	720*450*80mm, Black enamel
BURNERS	5.8kW infrared burners(Total 11.6kW)
MOTOR	25W(220 240V,AC50/60Hz), Max Load: 60 kg
LOADING QUANTITY	45pcs/20GP 104pcs/40GP 110pcs/40HQ





HEAVY-DUTY COOK BOX



NL-BDL FEATURES

COOKING AREA	1440*955mm
PRODUCT SIZE	1805*1230*1015mm
PACKAGE SIZE	1530*1050*335mm; 1530*515*485mm
GROSS WEIGHT	95kg
CHARCOAL TRAY	720*450*80mm, Black enamel
BURNERS	5.8kW infrared burners(Total 11.6kW)
MOTOR	25W(220 240V,AC50/60Hz), Max Load: 60 kg
LOADING QUANTITY	45pcs/20GP 104pcs/40GP 110pcs/40HQ





NL-B6 FEATURES

COOKING AREA	1035*435mm
PRODUCT SIZE	1100*560*950mm
PACKAGE SIZE	1100*635*315mm
GROSS WEIGHT	48kg
CHARCOAL TRAY	995*300*80mm, Black enamel
BURNERS	3.9kW infrared burners(Total 13.6kW)
MOTOR	25W(220 240V,AC50/60Hz), Max Load: 60 kg
LOADING QUANTITY	11pcs/20GP 24pcs/40GP 48pcs/40HQ

HEAVY-DUTY AND HIGH PERFORMANCE



ELECTRIC MOTOR ROTISSERIE KIT



LARGE COOKING AREA





NL-B2 LIFTABLE FEATURES

COOK BOX	1172*485*255mm
PRODUCT SIZE	1380*440*850mm
PACKAGE SIZE	1280*475*255mm
GROSS WEIGHT	38kg
CHARCOAL TRAY	1020*230*80mm, Galvanized iron
MAX LOAD	40kg
MOTOR OUTPUT	13W(220 240V,AC50/60Hz), Max Load: 40 kg
LOADING QUANTITY	180pcs/20GP 387pcs/40GP 430pcs/40HQ

LARGE COOKING AREA

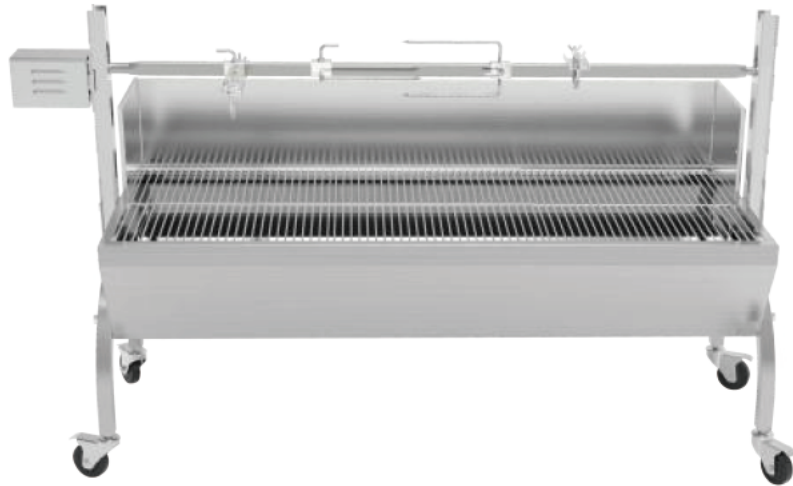


5 LEVELS LIFTABLE GRIDS



ELECTIRC MOTOR ROTISSERIE KIT

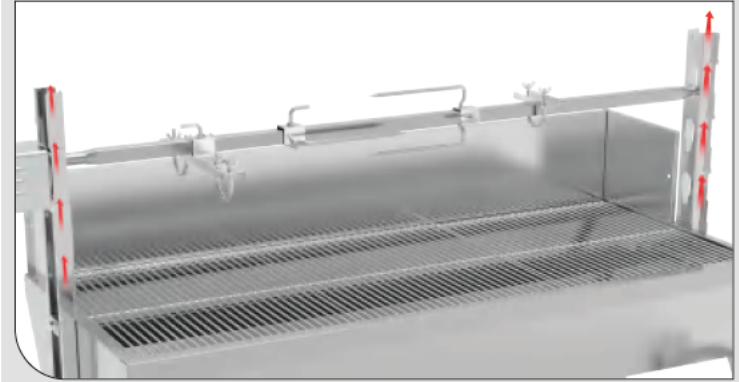




NL-B1 FEATURES

COOK BOX	A:1000*560*230mm; B:1300*560*230mm
PRODUCT SIZE	A:1050*560*1000mm;B:1350*560*1000mm
PACKAGE SIZE	1530*720*280mm
GROSS WEIGHT	45kg
CHARCOAL TRAY	1230*350*80mm, Galvanized iron
MAX LOAD	40kg
MOTOR OUTPUT	13W(220 240V,AC50/60Hz), Max Load: 40 kg
LOADING QUANTITY	88pcs/20GP 184pcs/40GP 207pcs/40HQ

FOUR LEVELS LIFTING SPIT ROD



ELECTRIC MOTOR ROTISSERIE KIT



WIND SHIELD AND LARGE COOKING AREA





NL-B3 FEATURES

COOKING AREA	1190*500mm
PRODUCT SIZE	1980*620*1190mm
PACKAGE SIZE	1305*660*670mm
GROSS WEIGHT	87kg
CHARCOAL TRAY¹	Two liftable charcoal tray
BURNERS	7.8kW stainless steel burner
MOTOR	25W(220 240V,AC50/60Hz), Max Load: 60 kg
LOADING QUANTITY	39pcs/20GP 84pcs/40GP 108pcs/40HQ

DOUBLE-WALLED LID



HEAVY DUTY MOTOR ROTISSERIE KIT



LARGE COOKING AREA



BEER OPENER



THERMOMETER AND TEMPERED GLASS



PIEZO IGNITION AND HEAT CONTROL



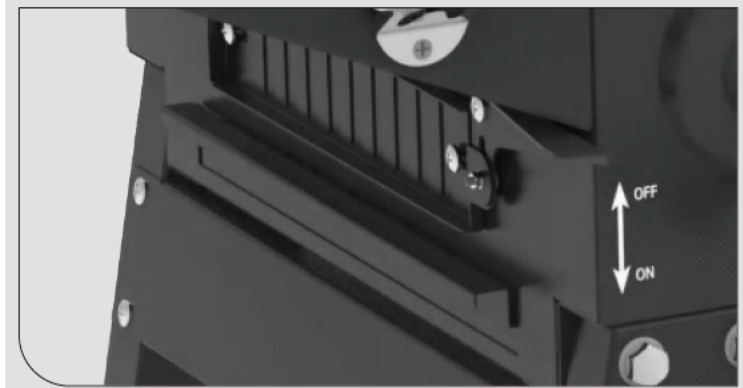
CAST ALUMINUM CONSTRUCTION



CHARCOAL TRAY LIFTING HANDLE



SIDE-OUT OIL DRIP TRAY





Weekend.

The Island Series

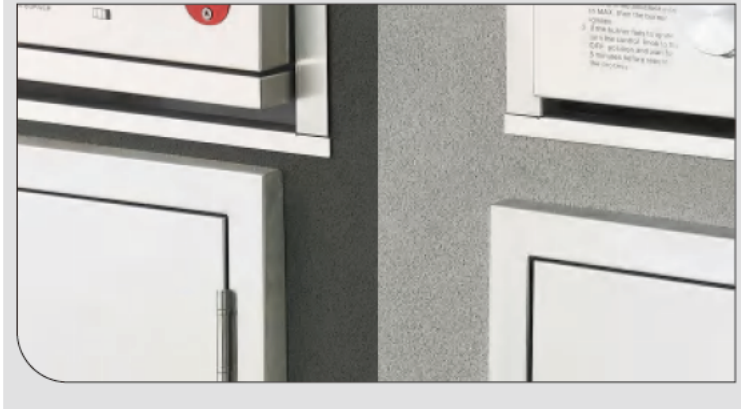
The N&L Island series combines the modern elegance of high-end interior design with the rustic appeal of a natural, outdoor environment. Offering a chic new take on the traditional backyard aesthetic, the weather-resistant dry and cold storage features stone paint, and granite countertop. With the N&L high-performance Built-in Grills, create a mouthwatering meal of flesh for your friends and family in your ultimate backyard.



NL-B4-I ISLAND FEATURES

COOKING AREA	723*460mm
PRODUCT SIZE	1640*670*900mm
PACKAGE SIZE	1100*635*315mm
GROSS WEIGHT	190kg
CONSTRUCTION	Granite countertop, stone painted frame
PERFORMANCE	Built-in grill 19.3kW, side burner 3.5kW
MOTOR	13W(220 240V,AC50/60Hz), Max Load: 40 kg
LOADING QUANTITY	19pcs/20GP 40pcs/40GP 53pcs/40HQ

CUSTOMIZABLE STONE PAINT



HIGH-PERFORMANCE BURNERS



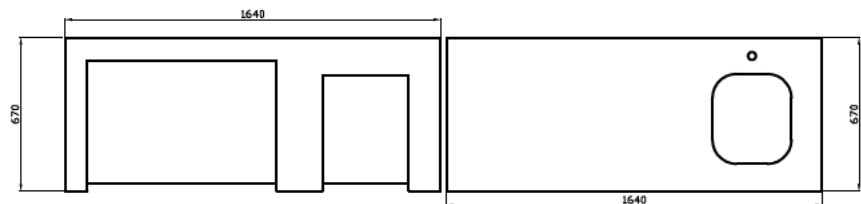
GRANITE COUNTERTOP





NL-B4-I-1 ISLAND FEATURES

COOKING AREA	723*460mm
PRODUCT SIZE	3280*670*1368mm, Countertop Height:900mm
GROSS WEIGHT	380kg
MOTOR	13W(220 240V,AC50/60Hz), Max Load: 40 kg
CONSTRUCTION	Granite countertop, stone painted frame
PERFORMANCE	Built-in grill 19.3kW, side burner 3.5kW

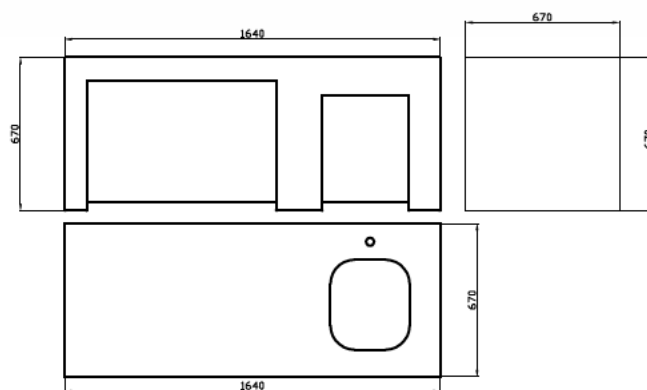


REFRIGERATOR	63L, 220-240V/50Hz,#304 Stainless steel
LOADING QUANTITY	9pcs/20GP 22pcs/40GP 25pcs/40HQ



NL-B4-I-2 ISLAND FEATURES

COOKING AREA	723*460mm
PRODUCT SIZE	2310*2310*1368mm, Countertop Height:900mm
GROSS WEIGHT	420kg
MOTOR	13W(220 240V,AC50/60Hz), Max Load: 40 kg
CONSTRUCTION	Granite countertop, stone painted frame
PERFORMANCE	Built-in grill 19.3kW, side burner 3.5kW



REFRIGERATOR	63L, 220-240V/50Hz,#304 Stainless steel
LOADING QUANTITY	8pcs/20GP 16pcs/40GP 19pcs/40HQ



Combination.

Outdoor kitchen Series

N&L full line of outdoor kitchen components features access door, drawers, refrigeration, sinks, cabinets and side burner. Seamless fit and elegant style that will work with any countertop and island finish.

N&L components also feature commercial grade stainless steel construction, magnetic latch, smooth gliding drawers on heavy-duty tracks. All access doors feature reversible door mounting to meet your specific needs. Sleek and intuitive, components provide an integrated solution that can be personalized to any space.



NL-CD CABINET FEATURES

PRODUCT SIZE	830*576*900mm
PACKAGE SIZE	880*670*1000mm
MATERIALS	Stainless steel and marble
GROSS WEIGHT	64. 5kg
CASTER	4 caster wheels,2 with locking
LOADING QUANTITY	40pcs/20GP 86pcs/40GP 86pcs/40HQ



NL-B10 SIDE BURNER FEATURES

PRODUCT SIZE	487*611*900mm
PACKAGE SIZE	525*640*1000mm
MATERIALS	Stainless steel and marble
GROSS WEIGHT	38kg
CASTER	4 caster wheels,2 with locking
BURNER	3.9kW infrared burner
LOADING QUANTITY	76pcs/20GP 154pcs/40GP 154pcs/40HQ



NL-CF1 CABINET FEATURES

PRODUCT SIZE	963*603*900mm
PACKAGE SIZE	1010*665*1000mm
MATERIALS	Stainless steel and marble
GROSS WEIGHT	97kg
CASTER	4 caster wheels,2 with locking
REFRIGERATOR	63L, 220-240V/50Hz,#304 Stainless steel
LOADING QUANTITY	34pcs/20GP 72pcs/40GP 72pcs/40HQ



NL-CF2 CABINET FEATURES

PRODUCT SIZE	963*603*900mm
PACKAGE SIZE	1010*665*1000mm
MATERIALS	Stainless steel and marble
GROSS WEIGHT	125kg
CASTER	4 caster wheels,2 with locking
REFRIGERATOR	63L, 220-240V/50Hz,#304 Stainless steel
LOADING QUANTITY	34pcs/20GP 72pcs/40GP 72pcs/40HQ



NL-CDSF CABINET FEATURES

PRODUCT SIZE	963*603*1371mm
PACKAGE SIZE	1010*665*1000mm
MATERIALS	Stainless steel and marble
GROSS WEIGHT	96kg
CASTER	4 caster wheels,2 with locking
REFRIGERATOR	63L, 220-240V/50Hz,#304 Stainless steel
LOADING QUANTITY	34pcs/20GP 72pcs/40GP 72pcs/40HQ



NL-CDS CABINET FEATURES

PRODUCT SIZE	830*576*1371mm
PACKAGE SIZE	880*670*1000mm
MATERIALS	Stainless steel and marble
GROSS WEIGHT	63kg
CASTER	4 caster wheels,2 with locking
LOADING QUANTITY	40pcs/20GP 86pcs/40GP 86pcs/40HQ



NL-CC45 45° CORNER FEATURES

PRODUCT SIZE	528*533*900mm
PACKAGE SIZE	530*190*900mm
MATERIALS	Stainless steel and marble
GROSS WEIGHT	18.3kg
CASTER	3 caster wheels
LOADING QUANTITY	340pcs/20GP 706pcs/40GP 791pcs/40HQ



NL-CC9 90° CORNER FEATURES

PRODUCT SIZE	626*626*900mm
PACKAGE SIZE	670*150*670mm, 560*10*750mm
MATERIALS	Stainless steel and marble
GROSS WEIGHT	44kg
CASTER	4 caster wheels, 2 with locking
LOADING QUANTITY	271pcs/20GP 564pcs/40GP 620pcs/40HQ



NL-CC9-I 90° CORNER FEATURES

PRODUCT SIZE	650*650*900mm
PACKAGE SIZE	960*710*830mm
CONSTRUCTION	Stone paint body and marble countertop
GROSS WEIGHT	70kg
FEET	Four adjustable rubber feet
LOADING QUANTITY	340pcs/20GP 706pcs/40GP 791pcs/40HQ



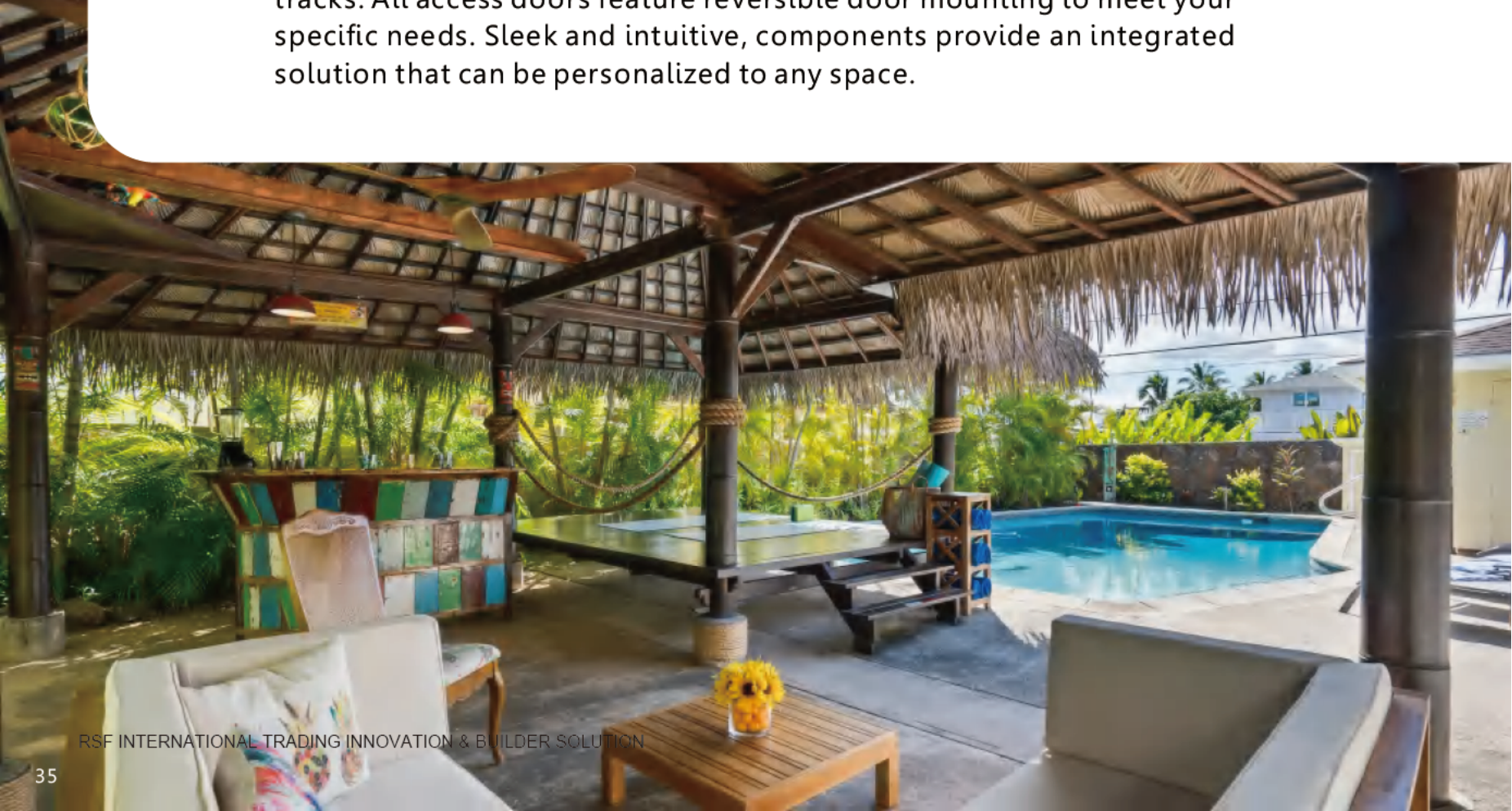
NL-CC9-I 90° CORNER FEATURES

PRODUCT SIZE	650*650*900mm
PACKAGE SIZE	960*710*830mm
CONSTRUCTION	Stone paint body and marble countertop
GROSS WEIGHT	70kg
FEET	Four adjustable rubber feet
LOADING QUANTITY	271pcs/20GP 564pcs/40GP 620pcs/40HQ

Combination.

SHOW CASE

N&L full line of outdoor kitchen components features access door, drawers, refrigeration, sinks, cabinets and side burner. Seamless fit and elegant style that will work with any countertop and island finish. N&L components also feature commercial grade stainless steel construction, magnetic latch, smooth gliding drawers on heavy-duty tracks. All access doors feature reversible door mounting to meet your specific needs. Sleek and intuitive, components provide an integrated solution that can be personalized to any space.





NL-B9 FEATURES

COOKING AREA	960*455mm
PRODUCT SIZE	3140*600*1240mm, Countertop Height:900mm
GROSS WEIGHT	256kg
CONSTRUCTION	Stainless steel and marble
MOTOR	13W(220 240V,AC50/60Hz), Max Load: 40 kg
PERFORMANCE	Built-in grill 26.7kW, side burner 3.9kW
LOADING QUANTITY	7pcs/20GP 15pcs/40GP 16pcs/40HQ

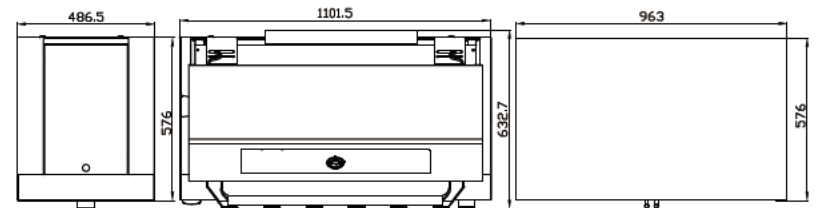


COMBINE WITH NL-B8



NL-B801-2-1 FEATURES

COOKING AREA	960*455mm
PRODUCT SIZE	2551*633*1197mm, Countertop Height:900mm
GROSS WEIGHT	261kg
MOTOR	13W(220 240V,AC50/60Hz), Max Load: 40 kg
CONSTRUCTION	Stainless steel and marble
PERFORMANCE	Built-in grill 26.7kW, side burner 3.9kW

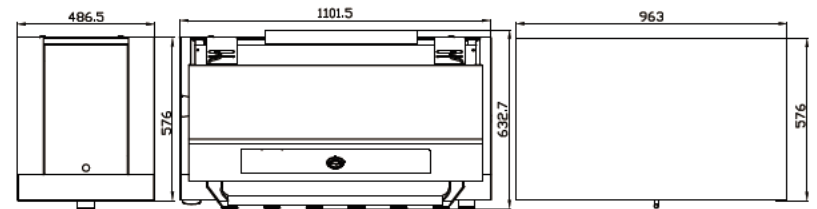


REFRIGERATOR	63L, 220-240V/50Hz,#304 Stainless steel
LOADING QUANTITY	13pcs/20GP 24pcs/40GP 28pcs/40HQ



NL-B801-2-1-S FEATURES

COOKING AREA	960*455mm
PRODUCT SIZE	2551*633*1197mm, Countertop Height:900mm
GROSS WEIGHT	261kg
MOTOR	13W(220 240V,AC50/60Hz), Max Load: 40 kg
CONSTRUCTION	Stainless steel and marble
PERFORMANCE	Built-in grill 26.7kW, side burner 3.9kW

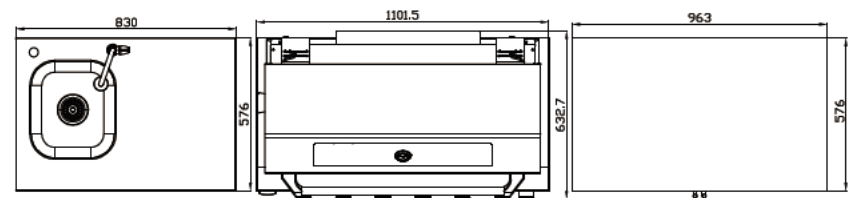


REFRIGERATOR	63L, 220-240V/50Hz,#304 Stainless steel
LOADING QUANTITY	13pcs/20GP 24pcs/40GP 28pcs/40HQ



NL-B801-2-2 FEATURES

COOKING AREA	960*455mm
PRODUCT SIZE	2551*633*1370mm, Countertop Height:900mm
GROSS WEIGHT	286kg
MOTOR	13W(220 240V,AC50/60Hz), Max Load: 40 kg
CONSTRUCTION	Stainless steel and marble
PERFORMANCE	Built-in grill 26.7kW

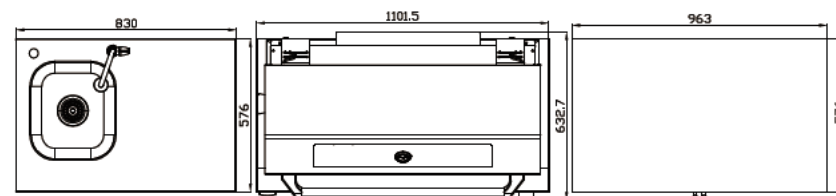


REFRIGERATOR	63L, 220-240V/50Hz,#304 Stainless steel
LOADING QUANTITY	9pcs/20GP 21pcs/40GP 24pcs/40HQ



NL-B801-2-2-S FEATURES

COOKING AREA	960*455mm
PRODUCT SIZE	2551*633*1370mm, Countertop Height:900mm
GROSS WEIGHT	286kg
MOTOR	13W(220 240V,AC50/60Hz), Max Load: 40 kg
CONSTRUCTION	Stainless steel and marble
PERFORMANCE	Built-in grill 26.7kW

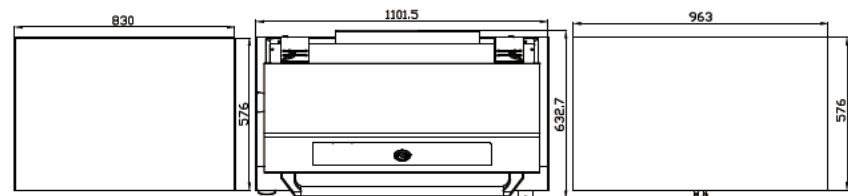


REFRIGERATOR	63L, 220-240V/50Hz,#304 Stainless steel
LOADING QUANTITY	9pcs/20GP 21pcs/40GP 24pcs/40HQ



NL-B801-2-3 FEATURES

COOKING AREA	960*455mm
PRODUCT SIZE	2895*633*1197mm, Countertop Height:900mm
GROSS WEIGHT	261kg
MOTOR	13W(220 240V,AC50/60Hz), Max Load: 40 kg
CONSTRUCTION	Stainless steel and marble
PERFORMANCE	Built-in grill 26.7kW, side burner 3.9kW

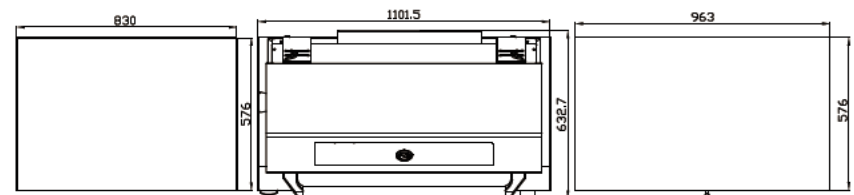


REFRIGERATOR	63L, 220-240V/50Hz,#304 Stainless steel
LOADING QUANTITY	9pcs/20GP 21pcs/40GP 24pcs/40HQ



NL-B801-2-3-S FEATURES

COOKING AREA	960*455mm
PRODUCT SIZE	2895*633*1197mm, Countertop Height:900mm
GROSS WEIGHT	261kg
MOTOR	13W(220 240V,AC50/60Hz), Max Load: 40 kg
CONSTRUCTION	Stainless steel and marble
PERFORMANCE	Built-in grill 26.7kW, side burner 3.9kW

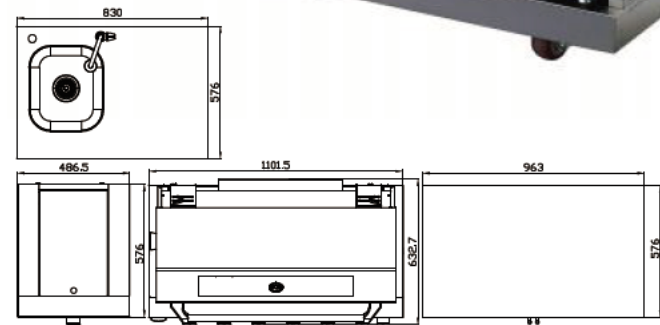


REFRIGERATOR	63L, 220-240V/50Hz,#304 Stainless steel
LOADING QUANTITY	9pcs/20GP 21pcs/40GP 24pcs/40HQ



NL-B801-3 FEATURES

COOKING AREA	960*455mm
PRODUCT SIZE	3381*633*1197mm, Countertop Height:900mm
GROSS WEIGHT	324kg
MOTOR	13W(220 240V,AC50/60Hz), Max Load: 40 kg
CONSTRUCTION	Stainless steel and marble
PERFORMANCE	Built-in grill 26.7kW, side burner 3.9kW

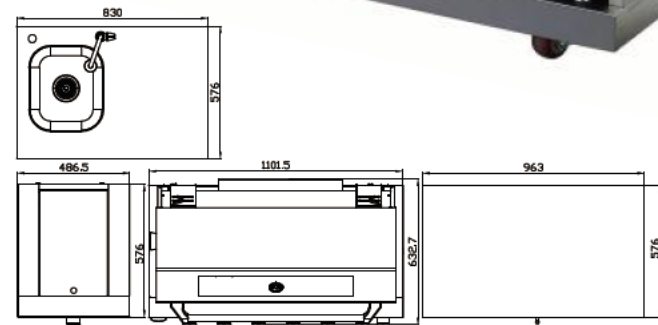


REFRIGERATOR	63L, 220-240V/50Hz, #304 Stainless steel
LOADING QUANTITY	9pcs/20GP 17pcs/40GP 21pcs/40HQ



NL-B801-3-S FEATURES

COOKING AREA	960*455mm
PRODUCT SIZE	3381*633*1197mm, Countertop Height:900mm
GROSS WEIGHT	324kg
MOTOR	13W(220 240V,AC50/60Hz), Max Load: 40 kg
CONSTRUCTION	Stainless steel and marble
PERFORMANCE	Built-in grill 26.7kW, side burner 3.9kW

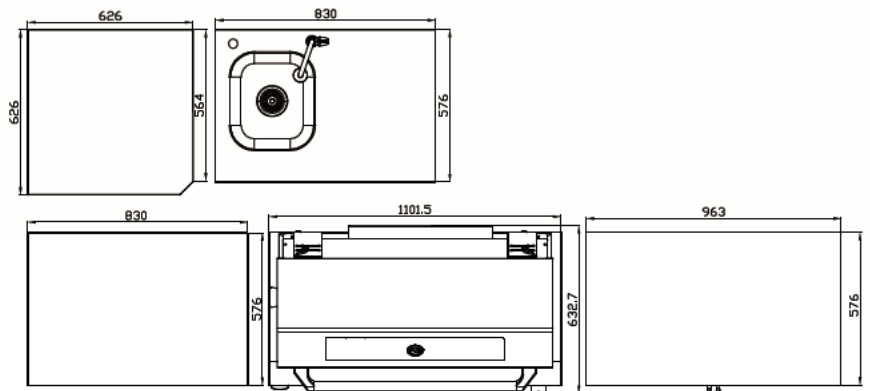


REFRIGERATOR	63L, 220-240V/50Hz, #304 Stainless steel
LOADING QUANTITY	9pcs/20GP 17pcs/40GP 21pcs/40HQ



NL-B801-4 FEATURES

COOKING AREA	960*455mm
PRODUCT SIZE	3521*1456*1370mm, Countertop Height:900mm
GROSS WEIGHT	387kg
MOTOR	13W(220 240V,AC50/60Hz), Max Load: 40 kg
CONSTRUCTION	Stainless steel and marble
PERFORMANCE	Built-in grill 26.7kW

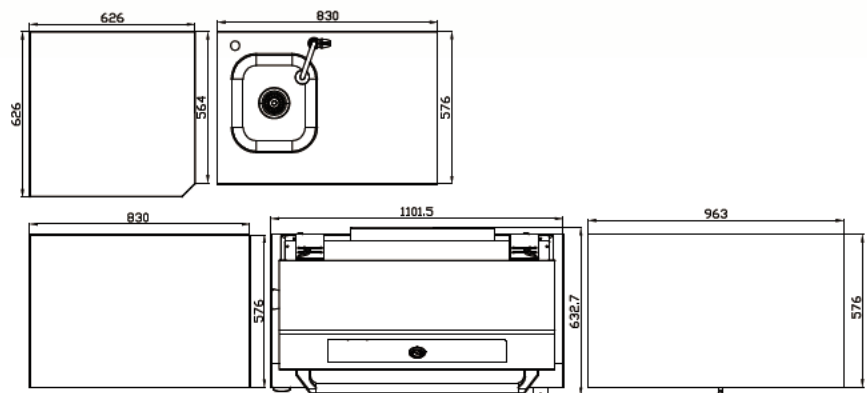


REFRIGERATOR	63L, 220-240V/50Hz, #304 Stainless steel
LOADING QUANTITY	7pcs/20GP 17pcs/40GP 20pcs/40HQ



NL-B801-4-S FEATURES

COOKING AREA	960*455mm
PRODUCT SIZE	3521*1456*1370mm, Countertop Height:900mm
GROSS WEIGHT	387kg
MOTOR	13W(220 240V,AC50/60Hz), Max Load: 40 kg
CONSTRUCTION	Stainless steel and marble
PERFORMANCE	Built-in grill 26.7kW

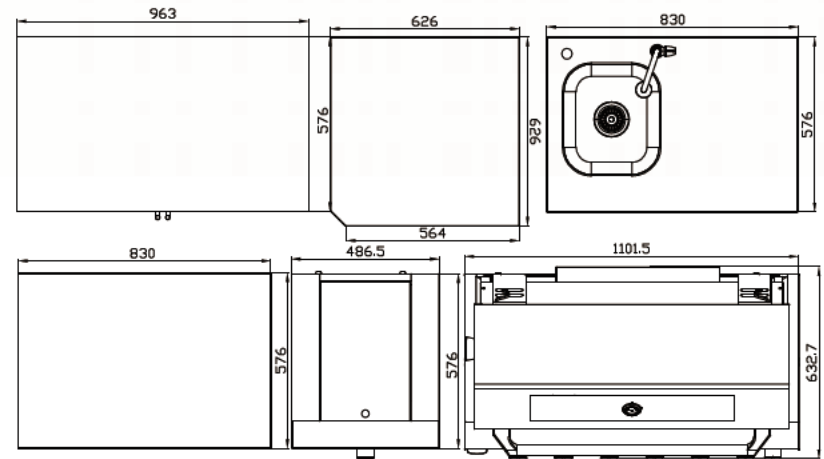


REFRIGERATOR	63L, 220-240V/50Hz,#304 Stainless steel
LOADING QUANTITY	7pcs/20GP 17pcs/40GP 20pcs/40HQ



NL-B801-5-1 FEATURES

COOKING AREA	960*455mm
PRODUCT SIZE	4008*1456*1370mm, Countertop Height:900mm
GROSS WEIGHT	425kg
MOTOR	13W(220 240V,AC50/60Hz), Max Load: 40 kg
CONSTRUCTION	Stainless steel and marble
PERFORMANCE	Built-in grill 26.7kW, side burner 3.9kW

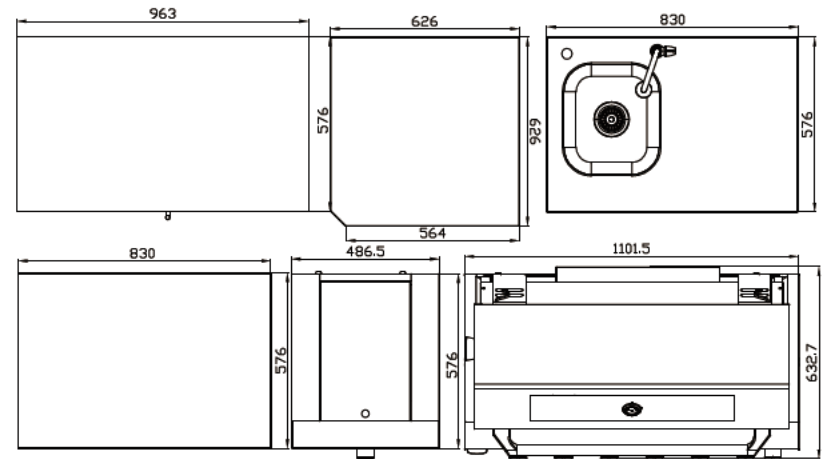


REFRIGERATOR	63L, 220-240V/50Hz, #304 Stainless steel
LOADING QUANTITY	7pcs/20GP 15pcs/40GP 16pcs/40HQ



NL-B801-5-1-S FEATURES

COOKING AREA	960*455mm
PRODUCT SIZE	4008*1456*1370mm, Countertop Height:900mm
GROSS WEIGHT	425kg
MOTOR	13W(220 240V,AC50/60Hz), Max Load: 40 kg
CONSTRUCTION	Stainless steel and marble
PERFORMANCE	Built-in grill 26.7kW, side burner 3.9kW

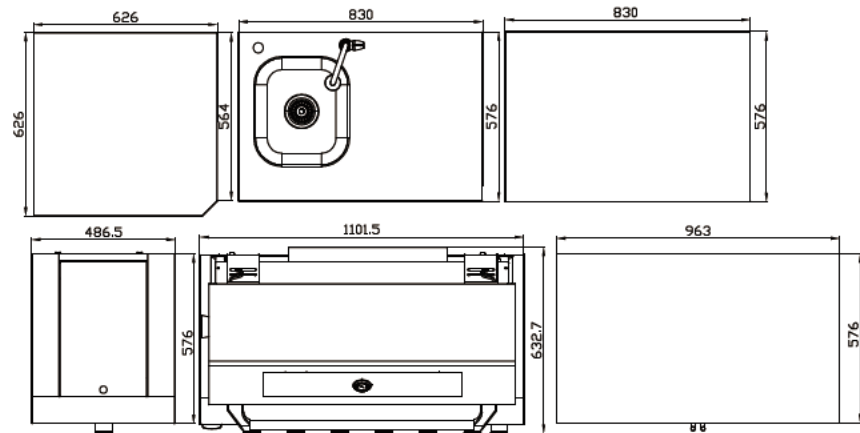


REFRIGERATOR	63L, 220-240V/50Hz, #304 Stainless steel
LOADING QUANTITY	7pcs/20GP 15pcs/40GP 16pcs/40HQ



NL-B801-5-2 FEATURES

COOKING AREA	960*455mm
PRODUCT SIZE	3176*2286*1370mm, Countertop Height:900mm
GROSS WEIGHT	387kg
MOTOR	13W(220 240V,AC50/60Hz), Max Load: 40 kg
CONSTRUCTION	Stainless steel and marble
PERFORMANCE	Built-in grill 26.7kW, side burner 3.9kW



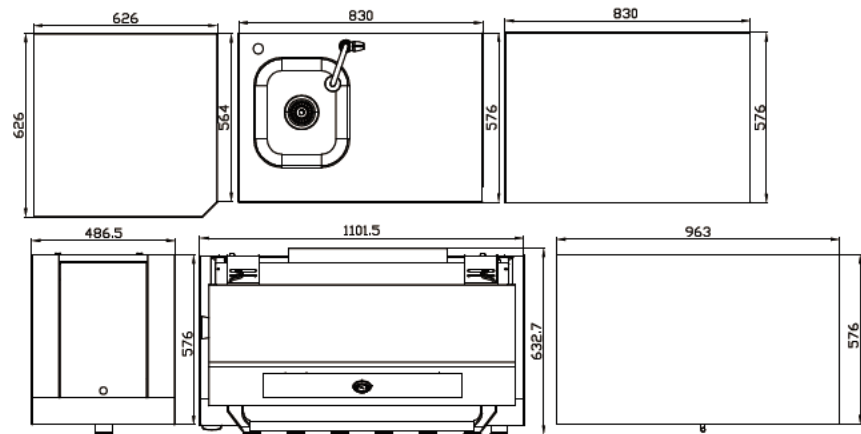
REFRIGERATOR 63L, 220-240V/50Hz, #304 Stainless steel

LOADING QUANTITY 7pcs/20GP 15pcs/40GP 16pcs/40HQ



NL-B801-5-2-S FEATURES

COOKING AREA	960*455mm
PRODUCT SIZE	3176*2286*1370mm, Countertop Height:900mm
GROSS WEIGHT	387kg
MOTOR	13W(220 240V,AC50/60Hz), Max Load: 40 kg
CONSTRUCTION	Stainless steel and marble
PERFORMANCE	Built-in grill 26.7kW, side burner 3.9kW



REFRIGERATOR 63L, 220-240V/50Hz, #304 Stainless steel

LOADING QUANTITY 7pcs/20GP 15pcs/40GP 16pcs/40HQ



800°.

Steak & Pizza Maker Series

The N&L 800° Steak Grill let you experience steakhouse style grilling in your own backyard! Its unique and efficient rectangular, front-loading open design accommodates OverFire radiant burners which are housed in the top of the grill. It is these OverFire radiant burners that allow the grill to get to 800°, a temperature they can achieve in just three minutes. This more direct heating allows for higher steak-searing temperatures, faster cooking and it takes the food-drying air out of the equation, all reasons high-end steakhouses use this technology.

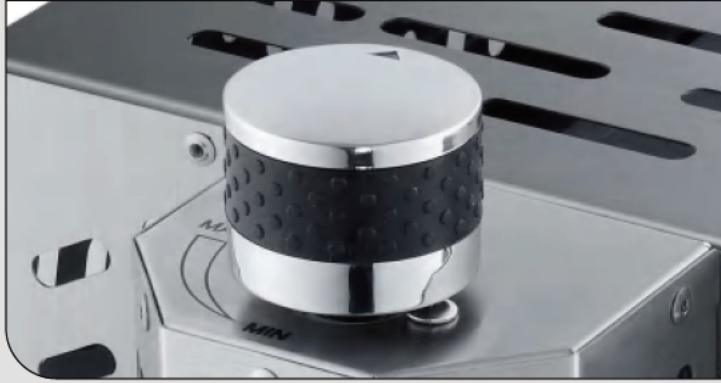
COOLING HOLE



800° HIGH-PERFORMANCE



NONSKID KNOB AND PULSE IGNITION



FRONT-LOADING AND 5 GEAR GRILL



USE-FRIENDLY COUNTERTOP



MULTIFUNCTIONAL GRILL



STEAK GRILL SERIES FEATURES

COOKING GRIDS	#304/430 stainless steel grids
HEAT CONTROL	Valves with 90° control
BURNER	Infrared burner
IGNITOR	Pulse ignitor
DRIP TRAY	Oil drip tray available
HANDLE	Grid handle with beer opener
POWER SOURCE	LNG, LPG, BUTANE



NL-HS100A-1 FEATURES

COOKING AREA	265*165mm
PRODUCT SIZE	540*220*410mm
PACKAGE SIZE	560*260*440mm
MATERIALS	#304 stainless steel
GROSS WEIGHT	9.5kg
PERFORMANCE	12000BTU/3.5kW
IGNITION	Pulse ignition
LOADING QUANTITY	480pcs/20GP 990pcs/40GP 1180pcs/40HQ



STANDARD COMPONENTS

STEAK GRID



GRID HANDLE



OIL DRIP PAN



OPTIONAL COMPONENTS

BBQ SKEWERS



REGULATOR AND
GAS HOSE



WATERPROOF GIRLL COVER



PIZZA STONE SET





NL-HS100A-2 FEATURES

COOKING AREA	265*165mm
PRODUCT SIZE	540*220*410mm
PACKAGE SIZE	560*260*440mm
MATERIALS	#304 stainless steel
GROSS WEIGHT	9.5kg
PERFORMANCE	12000BTU/3.5kW
IGNITION	Pulse ignition
LOADING QUANTITY	480pcs/20GP 990pcs/40GP 1180pcs/40HQ



NL-HS100A-3 FEATURES

COOKING AREA	265*165mm
PRODUCT SIZE	540*220*410mm
PACKAGE SIZE	560*260*440mm
MATERIALS	#304 stainless steel
GROSS WEIGHT	9.5kg
PERFORMANCE	12000BTU/3.5kW
IGNITION	Pulse ignition
LOADING QUANTITY	480pcs/20GP 990pcs/40GP 1180pcs/40HQ



NL-P100 FEATURES

COOKING AREA	330*340mm
PRODUCT SIZE	560*445*560mm
PACKAGE SIZE	570*475*435mm
MATERIALS	Stainless steel
GROSS WEIGHT	kg
PERFORMANCE	13000BTU/3.8kW
IGNITION	Piezo ignition
LOADING QUANTITY	225pcs/20GP 470pcs/40GP 564pcs/40HQ



NL-HS100A-2 FEATURES

COOKING AREA	310*360mm
PRODUCT SIZE	540*430*450mm
PACKAGE SIZE	510*575*480mm
MATERIALS	Stainless steel
GROSS WEIGHT	19.5kg
PERFORMANCE	11260BTU/3.3kW
IGNITION	Pulse ignition
LOADING QUANTITY	176pcs/20GP 368pcs/40GP 460pcs/40HQ



NL-HS100A-1 FEATURES

COOKING AREA	330*250mm
PRODUCT SIZE	450*350*430mm
PACKAGE SIZE	490*370*440mm
MATERIALS	Stainless steel
GROSS WEIGHT	14kg
PERFORMANCE	12000BTU/3.5kW
TIMER KNOB	15 minutes timer knob
LOADING QUANTITY	375pcs/20GP 770pcs/40GP 912pcs/40HQ



NL-HS200B FEATURES

COOKING AREA	330*340mm
PRODUCT SIZE	540*430*490mm
PACKAGE SIZE	580*480*510mm
MATERIALS	Stainless steel
GROSS WEIGHT	23kg
PERFORMANCE	30000BTU/8. 2kW
IGNITION	Piezo ignition
LOADING QUANTITY	190pcs/20GP 380pcs/40GP 480pcs/40HQ

800° HIGH-PERFORMANCE



FRONT-LOADING AND 5 GEAR GRILL



LARGER GRID FOR FAMILY

